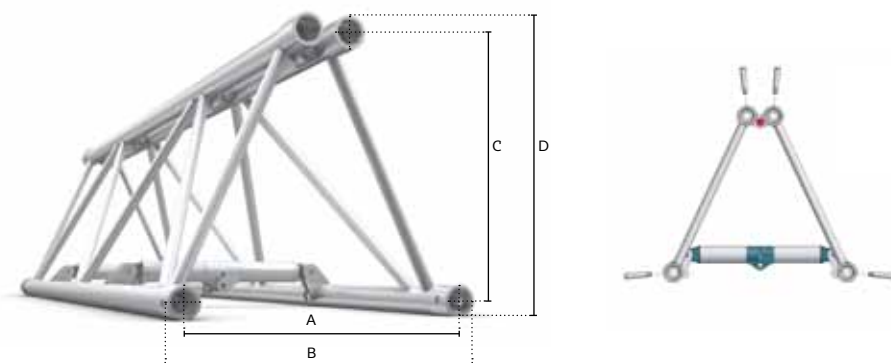


M520

- High-capacity M520 series truss range
- Square or compact folding formats available
- Super-sized conical connections for maximum rigidity
- User-friendly tapered pin holes for ease of assembly
- Great free-span & loading characteristics (up to 24m / 78.74 ft)
- Connection kit supplied with every truss length & junction
- Compatible with 200/400/500/600 series cell clamps
- Powder coat colour finish available on request

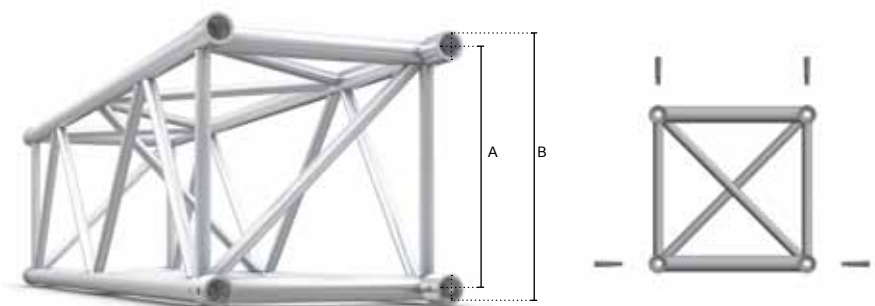
FOLD



M520

FTP	mm	in	Main Chords	Diagonals	Alloy	A	B	C	D	Coupler
			50x4 (2x0.16)	25x3 (0.98x0.12)	EN - AW 6082 T6	520 (20.47)	579 (22.80)	470 (18.50)	529 (20.83)	CCO

QUATRO



M520

QTP	mm	in	Main Chords	Diagonals	Horizontal Braces	Alloy	A	B	Coupler
			50x4 (2x0.16)	30x3 (1.81x0.12)	50x4 (2x0.16)	EN - AW 6082 T6	470 (18.50)	529 (20.83)	CCO

STANDARD LENGTHS AND WEIGHTS AVAILABLE

	m (ft)	1.00 (3.28)	1.20 (3.94)	1.50 (4.92)	1.60 (5.25)	2.00 (6.56)	2.40 (7.87)	2.50 (8.20)	3.00 (9.84)	3.50 (11.48)	4.00 (13.12)
FOLD	kg (lbs)	13.40 (29.54)	14.50 (32.03)	-	13.40 (29.54)	14.50 (32.03)	29.10 (62.83)	-	32.00 (70.55)	-	-
QUATRO	kg (lbs)	17.00 (37.48)	18.40 (40.70)	21.70 (47.97)	-	27.60 (60.85)	31.60 (69.69)	33.00 (72.75)	38.30 (84.44)	44.00 (97.00)	49.00 (108.03)

Connection material (pins/clips/couplers) and packaging are not included in above weights

M520 FTP FOLD

LOADING CHART

Span	m (ft)	4.00 (13.12)	6.00 (19.69)	8.00 (26.25)	10.00 (32.81)	12.00 (39.37)
Point load	kg (lbs)	2584.90 (5698.72)	2308.00 (5088.26)	1927.00 (4248.30)	1627.00 (3586.92)	1393.70 (3072.58)
Deflection	mm (in)	3.80 (0.15)	11.60 (0.46)	23.20 (0.91)	38.80 (1.53)	58.40 (2.30)
Two point load	kg (lbs)	1292.40 (2849.25)	1282.30 (2826.98)	1221.00 (2691.84)	1073.00 (2365.56)	951.00 (2096.59)
Deflection	mm (in)	3.30 (0.13)	11.00 (0.43)	25.00 (0.98)	43.40 (1.71)	67.30 (2.65)
Three point load	kg (lbs)	861.60 (1899.50)	854.90 (1884.73)	848.20 (1869.96)	841.40 (1854.97)	696.90 (1536.40)
Deflection	mm (in)	3.00 (0.12)	10.20 (0.40)	24.20 (0.95)	47.30 (1.86)	68.70 (2.70)
Four point load	kg (lbs)	646.20 (1424.63)	641.20 (1413.60)	636.10 (1402.36)	631.10 (1391.34)	580.70 (1280.22)
Deflection	mm (in)	2.90 (0.11)	9.80 (0.39)	23.20 (0.91)	45.20 (1.78)	72.70 (2.86)
Distrib. loading	kg (lbs)	646.20 (434.23)	427.40 (287.20)	318.10 (213.75)	252.40 (169.60)	208.70 (140.24)
Deflection	mm (in)	2.40 (0.09)	8.10 (0.32)	19.30 (0.76)	37.70 (1.48)	65.10 (2.56)

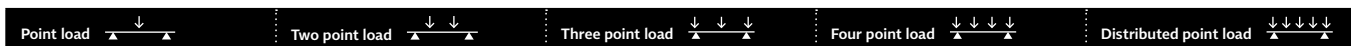
Span	m (ft)	14.00 (45.93)	16.00 (52.49)	18.00 (59.06)	20.00 (65.62)	22.00 (72.18)	24.00 (78.74)
Point load	kg (lbs)	1175.90 (2592.41)	1010.00 (2226.67)	878.70 (1937.20)	771.60 (1701.08)	682.20 (1503.99)	606.00 (1336.00)
Deflection	mm (in)	79.90 (3.15)	105.00 (4.13)	133.90 (5.27)	166.70 (6.56)	203.50 (8.01)	244.60 (9.63)
Two point load	kg (lbs)	855.00 (1884.95)	757.50 (1670.00)	659.00 (1452.84)	578.70 (1275.81)	511.70 (1128.10)	454.50 (1002.00)
Deflection	mm (in)	97.50 (3.84)	131.30 (5.17)	166.40 (6.55)	205.90 (8.11)	249.60 (9.83)	297.80 (11.72)
Three point load	kg (lbs)	587.90 (1296.10)	505.00 (1113.33)	439.30 (968.49)	385.80 (850.54)	341.10 (752.00)	303.00 (668.00)
Deflection	mm (in)	93.70 (3.69)	122.80 (4.83)	155.90 (6.14)	193.10 (7.60)	234.60 (9.24)	280.50 (11.04)
Four point load	kg (lbs)	489.90 (1080.04)	420.80 (927.70)	366.10 (807.11)	321.50 (708.79)	284.30 (626.77)	252.50 (556.67)
Deflection	mm (in)	99.10 (3.90)	129.60 (5.10)	164.40 (6.47)	203.40 (8.01)	246.70 (9.71)	294.40 (11.59)
Distrib. loading	kg (lbs)	168.00 (112.89)	126.20 (84.80)	97.60 (65.58)	77.20 (51.88)	62.00 (41.66)	50.50 (33.93)
Deflection	mm (in)	98.30 (3.87)	128.70 (5.07)	163.20 (6.43)	202.00 (7.95)	245.00 (9.65)	292.40 (11.51)

M520 QTP QUATRO

LOADING CHART

Span	m (ft)	6.00 (19.69)	8.00 (26.25)	10.00 (32.81)	12.00 (39.37)	14.00 (45.93)	16.00 (52.49)
Point load	kg (lbs)	2367.00 (5218.34)	1956.00 (4312.24)	1652.00 (3642.03)	1402.30 (3091.54)	1184.90 (2612.25)	1019.60 (2247.83)
Deflection	mm (in)	11.80 (0.46)	23.40 (0.92)	39.00 (1.54)	58.10 (2.29)	79.60 (3.13)	104.50 (4.11)
Two point load	kg (lbs)	1451.00 (3198.90)	1257.00 (2771.21)	1098.00 (2420.67)	968.00 (2134.07)	862.00 (1900.38)	764.70 (1685.87)
Deflection	mm (in)	12.30 (0.48)	25.60 (1.01)	44.00 (1.73)	67.80 (2.67)	97.30 (3.83)	130.90 (5.15)
Three point load	kg (lbs)	1083.00 (2387.60)	967.00 (2131.87)	851.50 (1877.23)	701.20 (1545.88)	592.50 (1306.24)	509.80 (1123.92)
Deflection	mm (in)	12.80 (0.50)	27.40 (1.08)	47.50 (1.87)	68.50 (2.70)	93.40 (3.68)	122.40 (4.82)
Four point load	kg (lbs)	866.00 (1909.20)	797.00 (1757.08)	709.60 (1564.40)	584.30 (1288.16)	493.70 (1088.42)	424.80 (936.52)
Deflection	mm (in)	13.10 (0.52)	28.70 (1.13)	50.30 (1.98)	72.50 (2.85)	98.80 (3.89)	129.20 (5.09)
Distrib. loading	kg (lbs)	817.20 (549.13)	537.30 (361.05)	340.60 (228.87)	233.70 (157.04)	169.30 (113.76)	127.50 (85.68)
Deflection	mm (in)	15.20 (0.60)	31.90 (1.26)	49.90 (1.96)	71.90 (2.83)	98.10 (3.86)	128.30 (5.05)

Span	m (ft)	18.00 (59.06)	20.00 (65.62)	22.00 (72.18)	24.00 (78.74)	26.00 (85.30)	28.00 (91.86)	30.00 (98.43)
Point load	kg (lbs)	889.00 (1959.91)	782.70 (1725.56)	694.00 (1530.01)	618.60 (1363.78)	553.40 (1220.04)	496.10 (1093.71)	445.30 (981.72)
Deflection	mm (in)	133.20 (5.24)	165.70 (6.52)	202.10 (7.96)	242.70 (9.56)	287.60 (11.32)	336.90 (13.26)	391.00 (15.39)
Two point load	kg (lbs)	666.80 (1470.04)	587 (1294.11)	520.50 (1147.50)	463.90 (1022.72)	415.00 (914.92)	372.10 (820.34)	334.00 (736.34)
Deflection	mm (in)	166.00 (6.54)	205.20 (8.08)	248.80 (9.80)	296.70 (11.68)	349.00 (13.74)	405.80 (15.98)	467.00 (18.39)
Three point load	kg (lbs)	444.50 (979.95)	391.30 (862.67)	347.00 (765.00)	309.30 (681.89)	276.70 (610.02)	248.10 (546.97)	222.70 (490.97)
Deflection	mm (in)	155.30 (6.11)	192.40 (7.57)	233.60 (9.20)	279.20 (10.99)	329.10 (12.96)	383.40 (15.09)	442.30 (17.41)
Four point load	kg (lbs)	370.40 (816.59)	326.10 (718.93)	289.20 (637.58)	257.70 (568.13)	230.60 (508.39)	206.70 (455.69)	185.60 (409.18)
Deflection	mm (in)	163.90 (6.45)	202.70 (7.98)	245.80 (9.68)	293.30 (11.55)	345.10 (13.59)	401.40 (15.80)	462.20 (18.20)
Distrib. loading	kg (lbs)	98.80 (66.39)	78.30 (52.62)	63.10 (42.40)	51.50 (34.61)	42.60 (28.63)	35.40 (23.79)	29.70 (19.96)
Deflection	mm (in)	162.70 (6.41)	201.30 (7.93)	244.20 (9.61)	291.30 (11.47)	342.90 (13.50)	398.90 (15.70)	459.40 (18.09)



All truss loading calculations and TUV certifications are based on:

Truss supported or suspended at both ends • Static loadings only • Loads applied in the node points • Included self weight of the trusses • Spans made of different truss length • Interaction of bending moment and shear force at connector • Structural calculations based on DIN EN 1999-1-1 and DIN EN 1999-1-1/A2 made in 2014 • To comply with BS 7905-2 / ANSI E1.2-2006 / CWA 15902-2 all loading data should be multiplied by 0.85 • For any other application or in case of an assembled structure, contact Milos or a structural engineer • Safety factors used - self weight 1.35 / loading 1.5