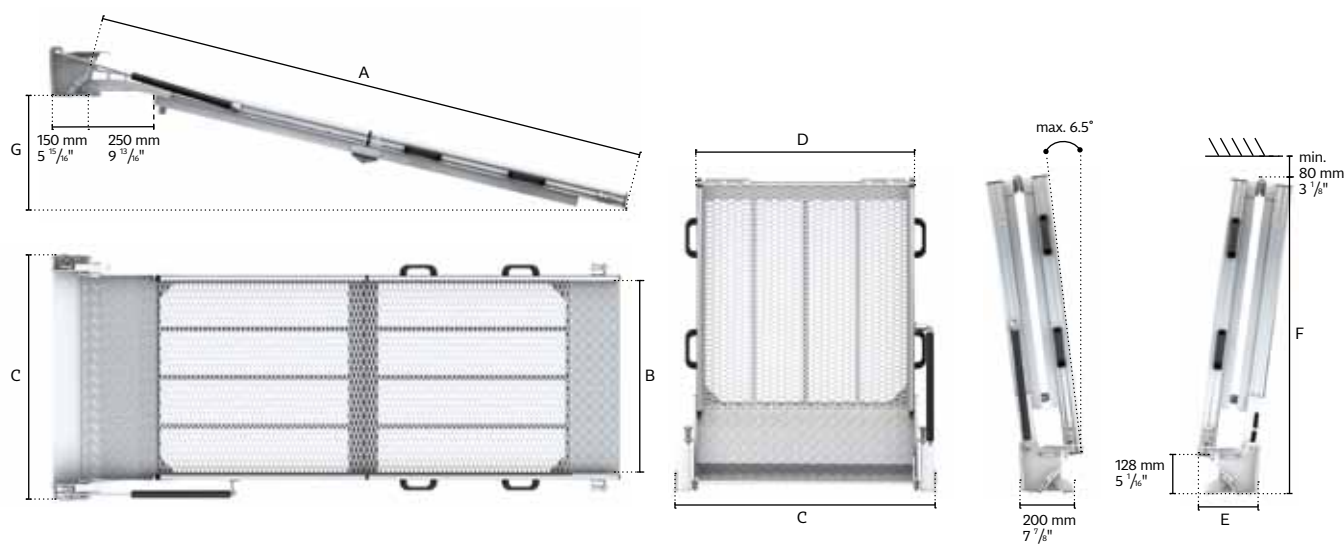




RA10, 11, 12, 20, 30, 40

Healthcare ramps

- Folding vehicle access ramp solution
- Designed for safe wheelchair access
- Loading capacity up to 400 Kg (881.7 lbs) for 500 mm wheelbase
- Maximum extended length up to 3240 mm (127.56")
- Anodized anti-slip surface
- Quick & simple operation
- Gas strut for easy handling
- Optional safety belts
- Optional turning adapter for 10/11/12/20 types
- Front and side crash test at 20G Conformity with EN 1789/A2



*suitable for cars with raised bumper

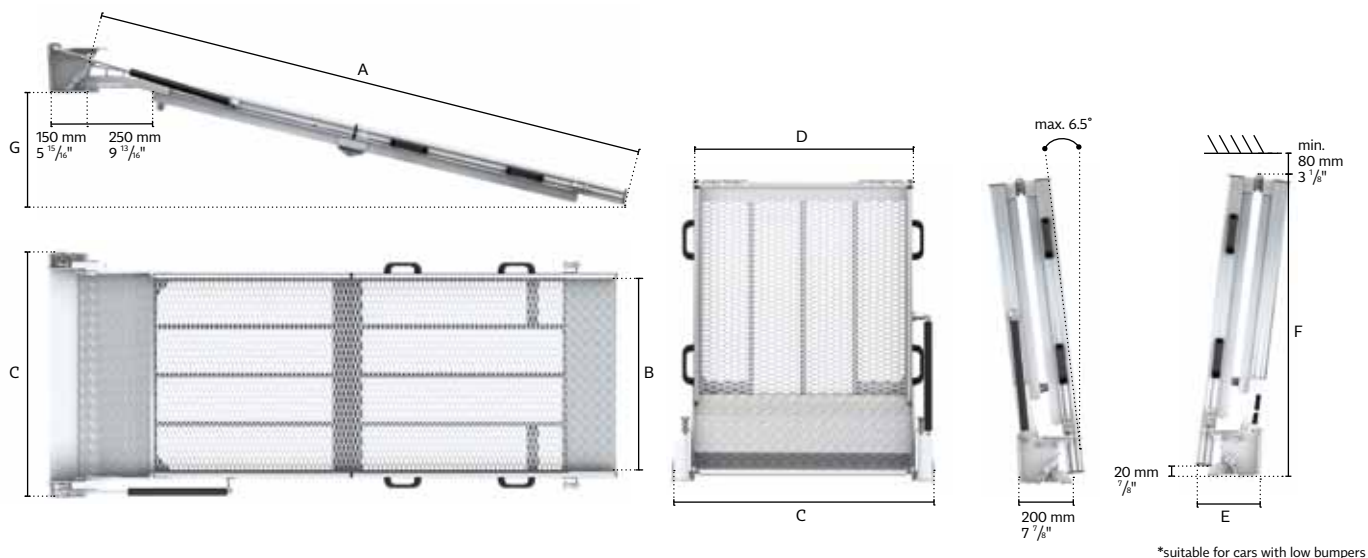
RA10 RAMPS

Code	Description
RA10-405x800	Folding - 2 pieces
RA10-405x1000	Folding - 2 pieces
RA10-450x600	Folding - 2 pieces
RA10-450x800	Folding - 2 pieces
RA10-450x1000	Folding - 2 pieces
RA10-550x600	Folding - 2 pieces
RA10-550x800	Folding - 2 pieces
RA10-550x1000	Folding - 2 pieces

Technical specifications

Length A	Internal width B	Bottom width C	Top width D	Mounting depth E	Height folded F	Mounting height G min and max usable sloping angle *		Weight	
						min	max	kg	lbs
2033 (80.04)	800 (31.50)	1005 (39.57)	840 (33.07)	255 (10.04)	1112 (43.78)	305 (11°)	12.00 (11°)	29	(63.92)
2033 (80.04)	1000 (39.37)	1205 (47.44)	1040 (40.94)	255 (10.04)	1112 (43.78)	550 (18°)	21.65 (18°)	36	(79.35)
2253 (88.70)	600 (23.62)	805 (31.69)	640 (25.20)	255 (10.04)	1222 (48.11)	350 (11°)	13.78 (11°)	28	(61.72)
2253 (88.70)	800 (31.50)	1005 (39.57)	840 (33.07)	255 (10.04)	1222 (48.11)	600 (18°)	23.62 (18°)	30	(66.13)
2253 (88.70)	1000 (39.37)	1205 (47.44)	1040 (40.94)	255 (10.04)	1222 (48.11)	350 (11°)	13.78 (11°)	37	(81.56)
2253 (88.70)	800 (31.50)	1005 (39.57)	840 (33.07)	255 (10.04)	1222 (48.11)	600 (18°)	23.62 (18°)	30	(66.13)
2754 (108.43)	600 (23.62)	815 (32.09)	640 (25.20)	255 (10.04)	1472 (57.95)	450 (11°)	17.72 (11°)	29	(63.92)
2754 (108.43)	800 (31.50)	1005 (39.57)	840 (33.07)	255 (10.04)	1472 (57.95)	750 (18°)	29.53 (18°)	35	(77.15)
2754 (108.43)	1000 (39.37)	1205 (47.44)	1040 (40.94)	255 (10.04)	1472 (57.95)	450 (11°)	17.72 (11°)	38	(83.76)
2754 (108.43)	800 (31.50)	1005 (39.57)	840 (33.07)	255 (10.04)	1472 (57.95)	750 (18°)	29.53 (18°)	35	(77.15)

* Foldable ramp can be installed in a wide range of vehicles. Contact one of our Design Centres for specific technical details.



*suitable for cars with low bumpers

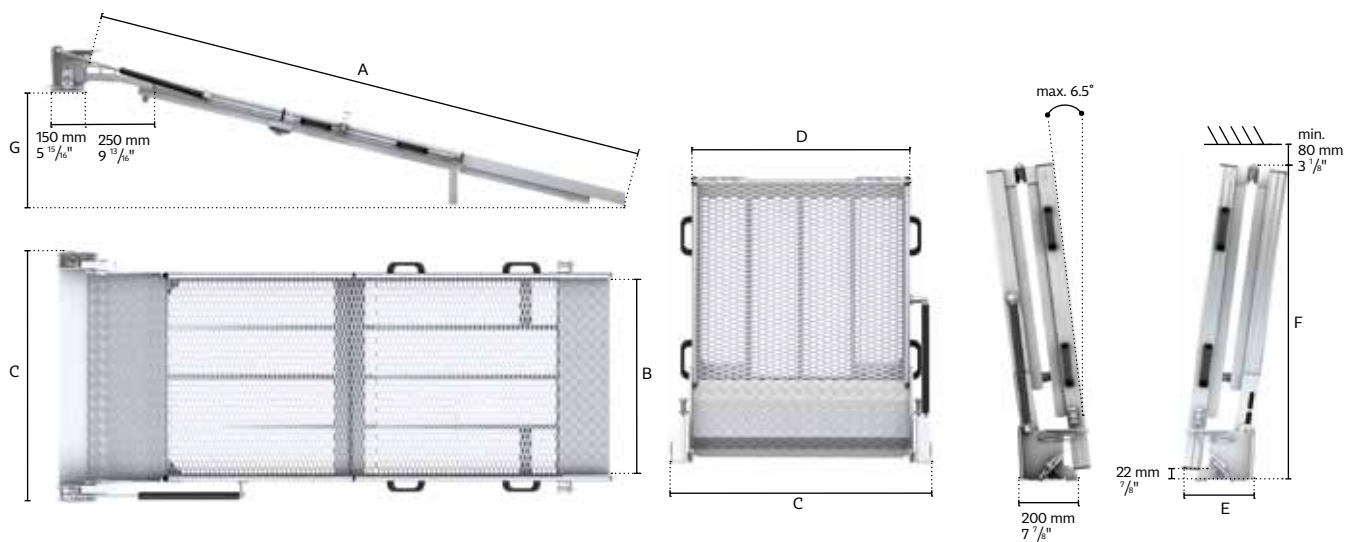
RA11 RAMPS

Code	Description
RA11-450x800	Folding - 2 pieces
RA11-450x1000	Folding - 2 pieces
RA11-550x800	Folding - 2 pieces
RA11-550x1000	Folding - 2 pieces

Technical specifications

Length A	Internal width B	Bottom width C	Top width D	Mounting depth E	Height folded F	Mounting height G min and max usable sloping angle *		Weight	
						kg	lbs		
2258 (88.90)	800 (31.50)	1005 (39.57)	840 (33.07)	255 (10.04)	1166 (45.91)	350 (11°)	13.78 (11°)	30	(66.13)
						600 (18°)	23.62 (18°)		
2760 (108.66)	800 (31.50)	1005 (39.57)	840 (33.07)	255 (10.04)	1423 (56.02)	450 (11°)	17.72 (11°)	35.5	(78.25)
						750 (18°)	29.53 (18°)		
2760 (108.66)	1000 (39.37)	1205 (47.44)	1040 (40.94)	255 (10.04)	1423 (56.02)	450 (11°)	17.72 (11°)	39	(85.96)
						750 (18°)	29.53 (18°)		

* Foldable ramp can be installed in a wide range of vehicles. Contact one of our Design Centres for specific technical details.



*suitable for cars with raised bumpers

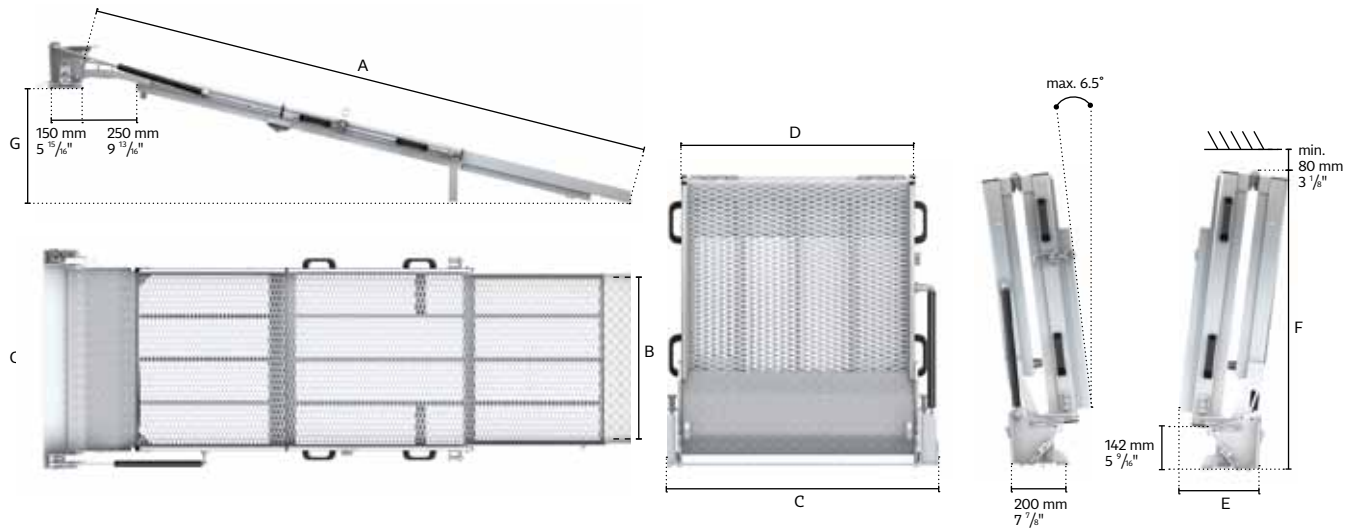
RA12 RAMPS

Code	Description
RA12-450x800	Folding - 2 pieces
RA12-450x1000	Folding - 2 pieces
RA12-550x800	Folding - 2 pieces
RA12-550x1000	Folding - 2 pieces

Technical specifications

Length A	Internal width B	Bottom width C	Top width D	Mounting depth E	Height folded F	Mounting height G min and max usable sloping angle *		Weight	
						kg	lbs		
2158 (84.96)	800 (31.50)	1005 (39.57)	840 (33.07)	255 (10.04)	1117 (43.98)	350 (11°)	13.78 (11°)	30	(66.13)
						600 (18°)	23.62 (18°)		
2660 (104.72)	800 (31.50)	1005 (39.57)	840 (33.07)	255 (10.04)	1373 (54.06)	450 (11°)	17.72 (11°)	34	(74.94)
						750 (18°)	29.53 (18°)		
2660 (104.72)	1000 (39.37)	1205 (47.44)	1040 (40.94)	255 (10.04)	1373 (54.06)	450 (11°)	17.72 (11°)	38	(83.76)
						750 (18°)	29.53 (18°)		

* Foldable ramp can be installed in a wide range of vehicles. Contact one of our Design Centres for specific technical details.



*suitable for cars with raised bumpers

RA20 RAMPS

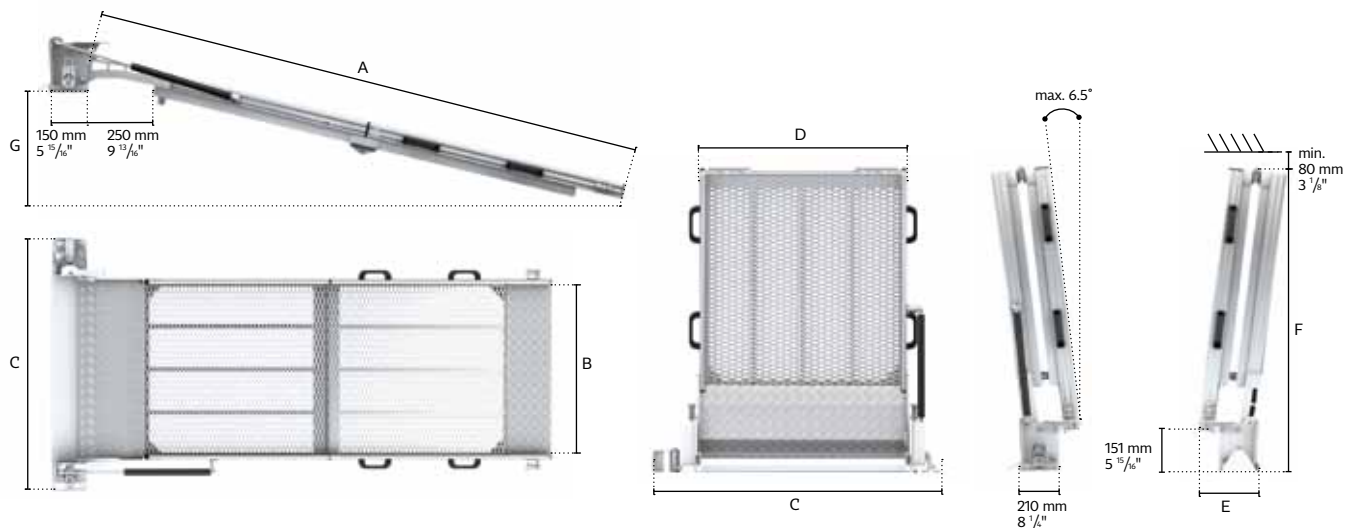
Technical specifications

Code	Description
RA20-550x800	Folding - 3 pieces

mm in

Length A	Internal width B	Bottom width C	Top width D	Mounting depth E	Height folded F	Mounting height G min and max usable sloping angle *		Weight	
						kg	lbs		
2750 (108.27)	800 (31.50)	1005 (39.57)	840 (33.07)	310 (12.20)	1052 (41.42)	450 (11°-13°)	17.72 (11°-13°)	36	(79.35)
						700 (18°)	27.56 (18°)		

* Foldable ramp can be installed in a wide range of vehicles. Contact one of our Design Centres for specific technical details.



*suitable for cars with raised bumpers

RA30 RAMPS

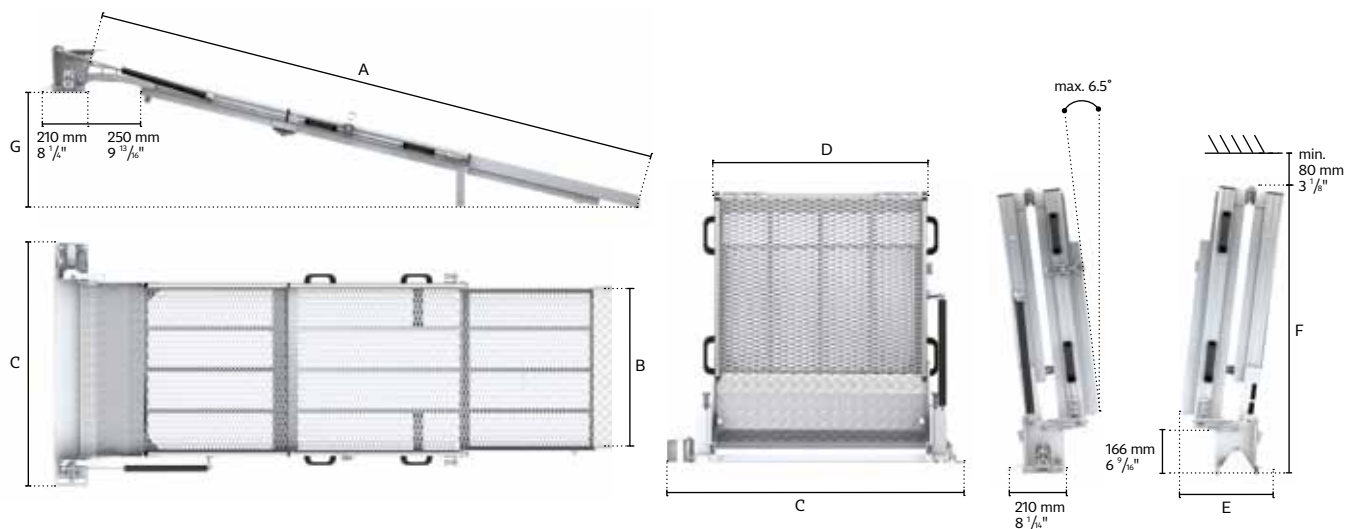
Technical specifications

Code	Description
RA30-450x800	Folding and swiveling - 2 pieces
RA30-450x1000	Folding and swiveling - 2 pieces

mm in

Length A	Internal width B	Bottom width C	Top width D	Mounting depth E	Height folded F	Mounting height G min and max usable sloping angle *		Weight	
						kg	lbs		
2255 (88.78)	800 (31.50)	1180 (46.46)	840 (33.07)	306 (12.05)	1246 (49.06)	350 (11°)	13.78 (11°)	32	(79.35)
						600 (18°)	23.62 (18°)		
2255 (88.78)	1000 (39.37)	1380 (54.33)	1040 (40.94)	306 (12.05)	1246 (49.06)	350 (11°)	13.78 (11°)	39	(85.96)
						600 (18°)	23.62 (18°)		

* Foldable ramp can be installed in a wide range of vehicles. Contact one of our Design Centres for specific technical details.



*suitable for cars with raised bumpers

RA40 RAMPS

Technical specifications

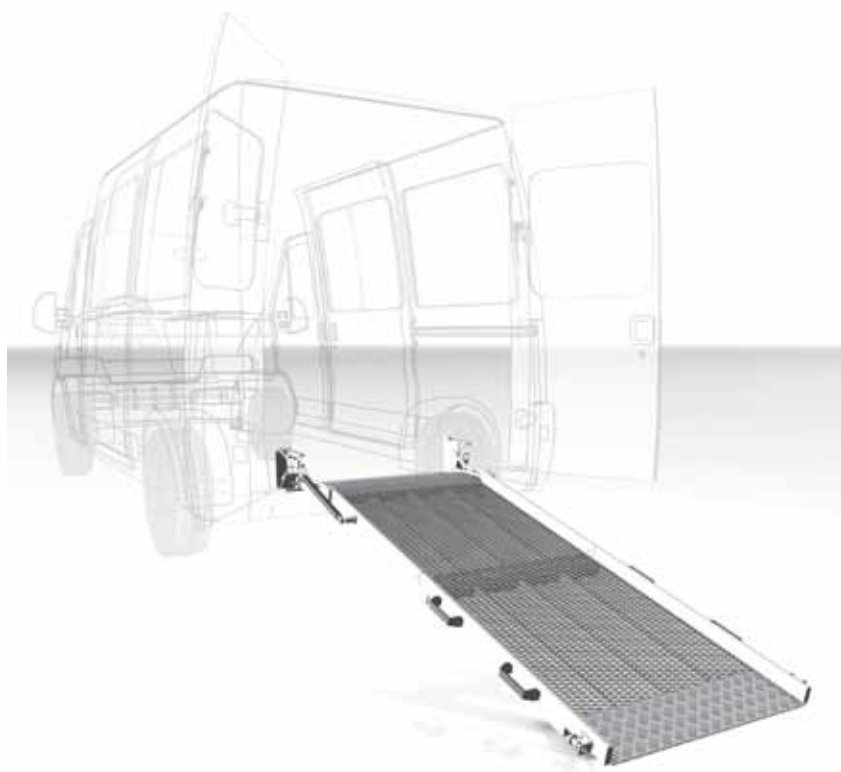
Code	Description
RA40-550x800	Folding and swiveling - 3 pieces
RA40-550x1000	Folding and swiveling - 3 pieces

mm in

Length A	Internal width B	Bottom width C	Top width D	Mounting depth E	Height folded F	Mounting height G min and max usable sloping angle *	Weight kg lbs
2750 (108.27)	800 (31.50)	1180 (46.46)	840 (33.07)	355 (13.98)	1076 (42.36)	450 (11°-13°) 17.72 (11°-13°) 700 (18°) 27.56 (18°)	37 (81.56)
2750 (108.27)	1000 (39.37)	1380 (54.33)	1040 (40.94)	355 (13.98)	1076 (42.36)	450 (11°-13°) 17.72 (11°-13°) 700 (18°) 27.56 (18°)	43 (94.78)

* Foldable ramp can be installed in a wide range of vehicles. Contact one of our Design Centres for specific technical details.

EXTENDABLE & REMOVABLE



RA 10, 11, 12, 20, 30, 40

Gas piston
For easy ramp handling and operation



RA 10, 11, 12, 20

Quick attach mechanism
Allows mounting/demounting the ramp into/from the van's floor

FOLDABLE



RA 20, 40

Lock for 3rd piece on RA20,40



RA 10, 11, 12, 20, 30, 40

Spring lock

SWIVELING



RA 30, 40

Swiveling mechanism
Swiveling ramp platform for free access while ramp is still mounted inside



RA 10, 11, 12, 20

RA10 swivel adapter
allows the ramp to swivel inside the car. Available for widths 600, 800, 1000mm.

