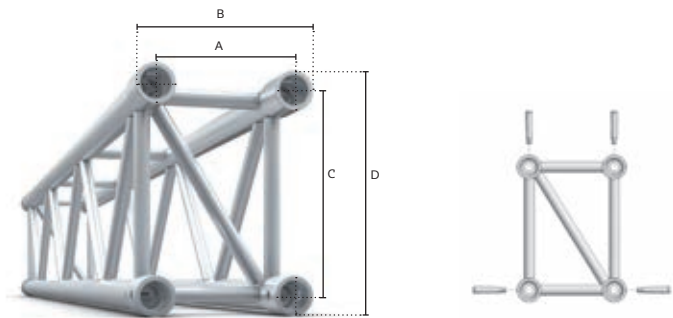


# M400

- Compact, medium-duty M400 series truss range
- Square or compact rectangular format for low storage and transport volume
- Super-sized conical connections for maximum rigidity
- User-friendly tapered pin holes for ease of assembly
- Compatible with 200/400/500/600 series cell clamps
- Powder coat colour finish available on request
- Great free-span & loading characteristics (up to 20m / 65.61 ft)
- Connection kit supplied with every truss length & junction

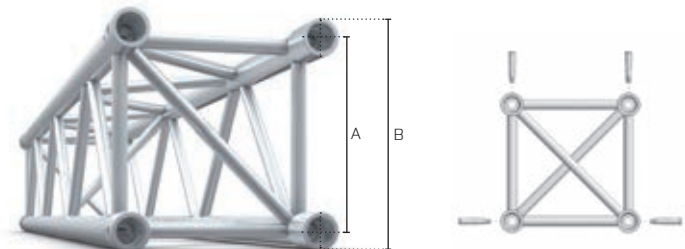
## RECT



### M400

	Main Chords	Diagonals	Alloy	A	B	C	D	Coupler
<b>RTO</b> <span>mm</span> <span>in</span>	50x4 (2x0.16)	25x3 (0.98x0.12)	EN - AW 6082 T6	207 (8.15)	266 (10.47)	299 (11.77)	358 (14.10)	CCO

## QUATRO



### M400

	Main Chords	Diagonals	Alloy	A	B	Coupler
<b>QTO</b> <span>mm</span> <span>in</span>	50x4 (2x0.16)	25x3 (0.98x0.12)	EN - AW 6082 T6	299 (11.77)	358 (14.10)	CCO

### STANDARD LENGTHS AND WEIGHTS AVAILABLE

	m (ft)	0.50 (1.64)	1.00 (3.28)	1.50 (4.92)	2.00 (6.56)	2.50 (8.20)	3.00 (9.84)	4.00 (13.12)
<b>RECT</b>	kg (lbs)	6.80 (14.99)	10.80 (23.80)	14.70 (32.58)	18.50 (40.81)	22.50 (49.61)	26.50 (58.42)	34.00 (74.95)
<b>QUATRO</b>	kg (lbs)	7.40 (16.31)	11.90 (26.37)	16.50 (36.37)	20.80 (45.88)	25.30 (55.84)	30.00 (66.25)	38.50 (85.01)

Connection material (pins/clips/couplers) and packaging are not included in above weights

**M400 RTO RECT**

LOADING CHART

Span	m (ft)	4.00 (13.12)	5.00 (16.40)	6.00 (19.69)	7.00 (22.97)	8.00 (26.25)	9.00 (29.53)	10.00 (32.81)
Centre Point Load (CPL)	kg (lbs)	2349.00 (5178.65)	2049.00 (4517.27)	1792.00 (3950.68)	1558.90 (3436.78)	1355.80 (2989.02)	1196.90 (2638.71)	1069.00 (2356.74)
Deflection	mm (in)	8.50 (0.33)	14.50 (0.57)	22.00 (0.87)	30.70 (1.21)	40.10 (1.58)	50.90 (2.00)	63.10 (2.48)
Third Point Load (TPL)	kg (lbs)	1472.00 (3245.20)	1305.00 (2877.03)	1179.00 (2599.25)	1064.00 (2345.72)	976.00 (2151.71)	889.00 (1959.91)	801.70 (1767.44)
Deflection	mm (in)	9.00 (0.35)	15.70 (0.62)	24.70 (0.97)	35.50 (1.40)	48.90 (1.93)	63.80 (2.51)	79.60 (3.13)
Quarter Point Load (QPL)	kg (lbs)	1092.00 (2407.45)	1003.00 (2211.23)	914.10 (2015.24)	779.40 (1718.28)	677.90 (1494.51)	598.50 (1319.47)	534.50 (1178.37)
Deflection	mm (in)	9.40 (0.37)	16.80 (0.66)	26.60 (1.05)	36.30 (1.43)	47.40 (1.87)	60.10 (2.37)	74.30 (2.93)
Fifth Point Load (FPL)	kg (lbs)	875.00 (1929.04)	817.00 (1801.17)	761.70 (1679.26)	649.50 (1431.90)	564.90 (1245.39)	498.70 (1099.44)	445.40 (981.94)
Deflection	mm (in)	9.50 (0.37)	17.50 (0.69)	28.20 (1.11)	38.40 (1.51)	50.20 (1.98)	63.60 (2.50)	78.60 (3.09)
Uniformly Distributed Load (UDL)	kg/m (lbs/ft)	1231.10 (827.26)	881.30 (592.21)	609.40 (409.50)	445.40 (299.29)	339.00 (227.80)	266.00 (178.74)	213.80 (143.67)
Deflection	mm (in)	11.10 (0.44)	19.40 (0.76)	28.00 (1.10)	38.10 (1.50)	49.80 (1.96)	63.10 (2.48)	78.00 (3.07)

Span	11.00 (36.09)	12.00 (39.37)	13.00 (42.65)	14.00 (45.93)	15.00 (49.21)	16.00 (52.49)	18.00 (59.06)	20.00 (65.62)
Centre Point Load (CPL)	963.50 (2124.15)	874.80 (1928.60)	799.20 (1761.93)	733.70 (1617.53)	676.30 (1490.98)	625.60 (1379.21)	539.60 (1189.61)	469.10 (1034.19)
Deflection	76.50 (3.01)	91.40 (3.60)	107.70 (4.24)	125.40 (4.94)	144.50 (5.69)	165.20 (6.50)	211.20 (8.31)	263.60 (10.38)
Third Point Load (TPL)	722.60 (1593.06)	656.10 (1446.45)	599.40 (1321.45)	550.30 (1213.20)	507.30 (1118.40)	469.20 (1034.41)	404.70 (892.21)	351.80 (775.59)
Deflection	96.40 (3.80)	114.90 (4.52)	134.90 (5.31)	156.60 (6.17)	179.90 (7.08)	205.00 (8.07)	260.00 (10.24)	321.80 (12.67)
Quarter Point Load (QPL)	481.70 (1061.97)	437.40 (964.30)	399.60 (880.97)	366.80 (808.65)	338.20 (745.60)	312.80 (689.61)	269.80 (594.81)	234.60 (517.20)
Deflection	90.00 (3.54)	107.20 (4.22)	126.10 (4.96)	146.50 (5.77)	168.40 (6.63)	192.00 (7.56)	244.10 (9.61)	302.90 (11.93)
Fifth Point Load (FPL)	401.40 (884.93)	364.50 (803.58)	333.00 (734.14)	305.70 (673.95)	281.80 (621.26)	260.70 (574.74)	224.90 (495.82)	195.50 (431.00)
Deflection	95.20 (3.75)	113.40 (4.46)	133.20 (5.24)	154.60 (6.09)	177.70 (7.00)	202.40 (7.97)	256.90 (10.11)	318.10 (12.52)
Uniformly Distributed Load (UDL)	175.20 (117.73)	145.80 (97.97)	122.90 (82.58)	104.80 (70.42)	90.20 (60.61)	78.20 (52.55)	60.00 (40.32)	46.90 (31.52)
Deflection	94.40 (3.72)	112.50 (4.43)	132.20 (5.20)	153.50 (6.04)	176.40 (6.94)	201.00 (7.91)	255.10 (10.04)	316.00 (12.44)

**M400 QTO QUATRO**

LOADING CHART

Span	m (ft)	4.00 (13.12)	5.00 (16.40)	6.00 (19.69)	7.00 (22.97)	8.00 (26.25)	9.00 (29.53)	10.00 (32.81)
Centre Point Load (CPL)	kg (lbs)	2348.00 (5176.45)	2048.00 (4515.06)	1790.00 (3946.27)	1556.60 (3431.71)	1353.30 (2983.51)	1194.10 (2632.54)	1065.80 (2349.68)
Deflection	mm (in)	8.50 (0.33)	14.50 (0.57)	22.10 (0.87)	30.70 (1.21)	40.20 (1.58)	51.00 (2.01)	63.10 (2.48)
Third Point Load (TPL)	kg (lbs)	1471.00 (3243.00)	1305.00 (2877.03)	1178.00 (2597.04)	1062.00 (2341.31)	964.00 (2125.25)	887.00 (1955.50)	799.30 (1762.15)
Deflection	mm (in)	9.00 (0.35)	15.70 (0.62)	24.70 (0.97)	35.50 (1.40)	48.40 (1.91)	63.90 (2.52)	79.70 (3.14)
Quarter Point Load (QPL)	kg (lbs)	1091.00 (2405.24)	1002.00 (2209.03)	913.10 (2013.04)	778.30 (1715.86)	676.60 (1491.65)	597.00 (1316.16)	532.90 (1174.84)
Deflection	mm (in)	9.40 (0.37)	16.80 (0.66)	26.60 (1.05)	36.30 (1.43)	47.40 (1.87)	60.10 (2.37)	74.30 (2.93)
Fifth Point Load (FPL)	kg (lbs)	875.00 (587.97)	816.00 (548.33)	760.90 (511.30)	648.60 (435.84)	563.90 (378.92)	497.50 (334.30)	444.10 (298.42)
Deflection	mm (in)	9.50 (0.37)	17.50 (0.69)	28.20 (1.11)	38.40 (1.51)	50.20 (1.98)	63.60 (2.50)	78.60 (3.09)
Uniformly Distributed Load (UDL)	kg/m (lbs/ft)	1230.50 (826.86)	880.70 (591.85)	608.70 (409.00)	444.70 (298.80)	338.30 (277.35)	265.30 (178.25)	213.20 (155.37)
Deflection	mm (in)	11.10 (0.44)	19.40 (0.76)	28.00 (1.10)	38.10 (1.50)	49.80 (1.96)	63.10 (2.48)	78.00 (3.07)

Span	11.00 (36.09)	12.00 (39.37)	13.00 (42.65)	14.00 (45.93)	15.00 (49.21)	16.00 (52.49)	18.00 (59.06)	20.00 (65.62)
Centre Point Load (CPL)	959.90 (2116.21)	871.00 (1920.22)	795.00 (1752.67)	729.20 (1607.61)	671.50 (1480.40)	620.50 (1367.97)	533.90 (1177.05)	462.70 (1020.08)
Deflection	76.60 (3.02)	91.60 (3.61)	107.90 (4.25)	125.60 (4.94)	144.90 (5.70)	165.70 (6.52)	211.90 (8.34)	264.70 (10.42)
Third Point Load (TPL)	720.00 (1587.33)	653.20 (1440.06)	596.20 (1314.39)	546.90 (1205.71)	503.60 (1110.25)	465.40 (1026.03)	400.40 (882.73)	347.00 (765.00)
Deflection	96.50 (3.80)	114.90 (4.52)	135.00 (5.31)	156.70 (6.17)	180.00 (7.09)	205.10 (8.07)	260.20 (10.24)	322.10 (12.68)
Quarter Point Load (QPL)	480.00 (1058.22)	435.50 (960.11)	397.50 (876.34)	364.60 (803.80)	335.80 (740.31)	310.20 (683.87)	266.90 (588.41)	231.30 (509.93)
Deflection	90.00 (3.54)	107.30 (4.22)	126.20 (4.97)	146.60 (5.77)	168.60 (6.64)	192.30 (7.57)	244.50 (9.63)	303.50 (11.95)
Fifth Point Load (FPL)	400.00 (268.79)	362.90 (243.86)	331.20 (222.56)	303.80 (204.14)	279.80 (188.02)	258.50 (173.70)	222.40 (149.45)	192.80 (129.56)
Deflection	95.20 (3.75)	113.40 (4.46)	133.20 (5.24)	154.70 (6.09)	177.80 (7.00)	202.60 (7.98)	257.10 (10.12)	318.40 (12.54)
Uniformly Distributed Load (UDL)	174.50 (117.25)	145.20 (97.60)	122.30 (82.19)	104.20 (70.02)	89.50 (60.14)	77.60 (52.15)	59.30 (39.85)	46.30 (31.10)
Deflection	94.50 (3.72)	112.60 (4.43)	132.30 (5.21)	153.60 (6.05)	176.50 (6.95)	201.10 (7.92)	255.40 (10.06)	316.40 (12.46)



All truss loading calculations are based on:

Truss supported or suspended at both ends • Static loadings only • Loads applied in the node points • Self-weight of the truss is included in all listed load capacities • Spans made of different truss lengths • Interaction of bending moment and shear force at connector is considered • Structural analysis based on EN 1999 • All loading data should be multiplied by 0.85 to comply with BS 7905-2 and ANSI E1.2-2006 • For any other application, or in case of an assembled structure, contact Milos or a structural engineer • Safety factors used: self-weight 1.35 / variable loads 1.5