

S-M2000 Fold

- 2002 x 772 mm foldable truss for optimised transport and storage, and made from bespoke, high strength steels
- Unique product for the event industry with increased loading on extremely wide spans
- Orientation-free connectors for ease of use
- Optimised weight to strength ratio
- Pinned connectors for increased strength
- Optimised webbing pattern for ease of use when assembling cross trusses
- Integrated forklift pick up points, double fork couplers, zinc coated pins and matt black, impact-resistant industrial paint finish



Detail of hinge

S-M2000 Foldable truss section

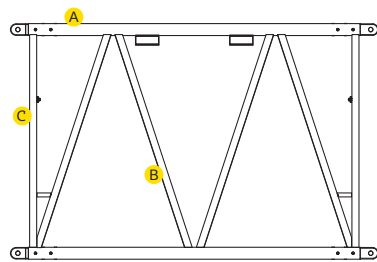
S-FZ	mm	in	Vertical		Horizontal	Pin type:	
			Main Chords A:	Diagonals B:	End braces C:		Diagonals D:
			101.6 x 4 (4 x 0.16)	60 x 60 x 4 (2.4 x 2.4 x 0.16)	60 x 60 x 4 (2.4 x 2.4 x 0.16)	48.3 x 3.2 (1.9 x 0.1)	PW-FZ & PW

STANDARD LENGTHS AND WEIGHTS AVAILABLE

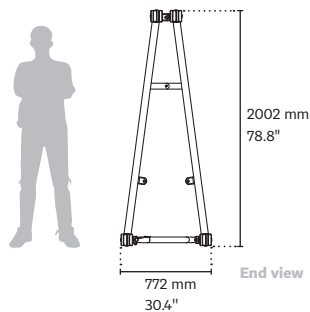
S-FZ	m		ft		kg		lbs	
	1.00 (3.28)	2.00 (6.56)	2.50 (8.20)	3.00 (9.84)	4.00 (13.12)	5.00 (16.41)	6.00 (19.68)	
	243.20 (536.16)	350.00 (771.62)	387.20 (853.62)	424.30 (935.42)	525.40 (1158.31)	627.10 (1382.52)	728.70 (1606.51)	

Connection material and packaging are not included in above weights

In-service

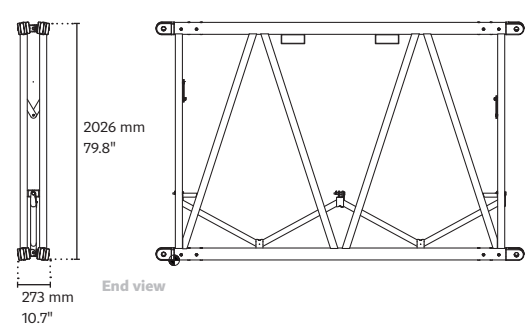


Side view

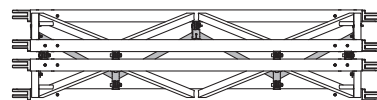


End view

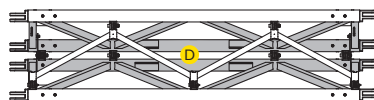
Transport mode



End view



Top view



Bottom view