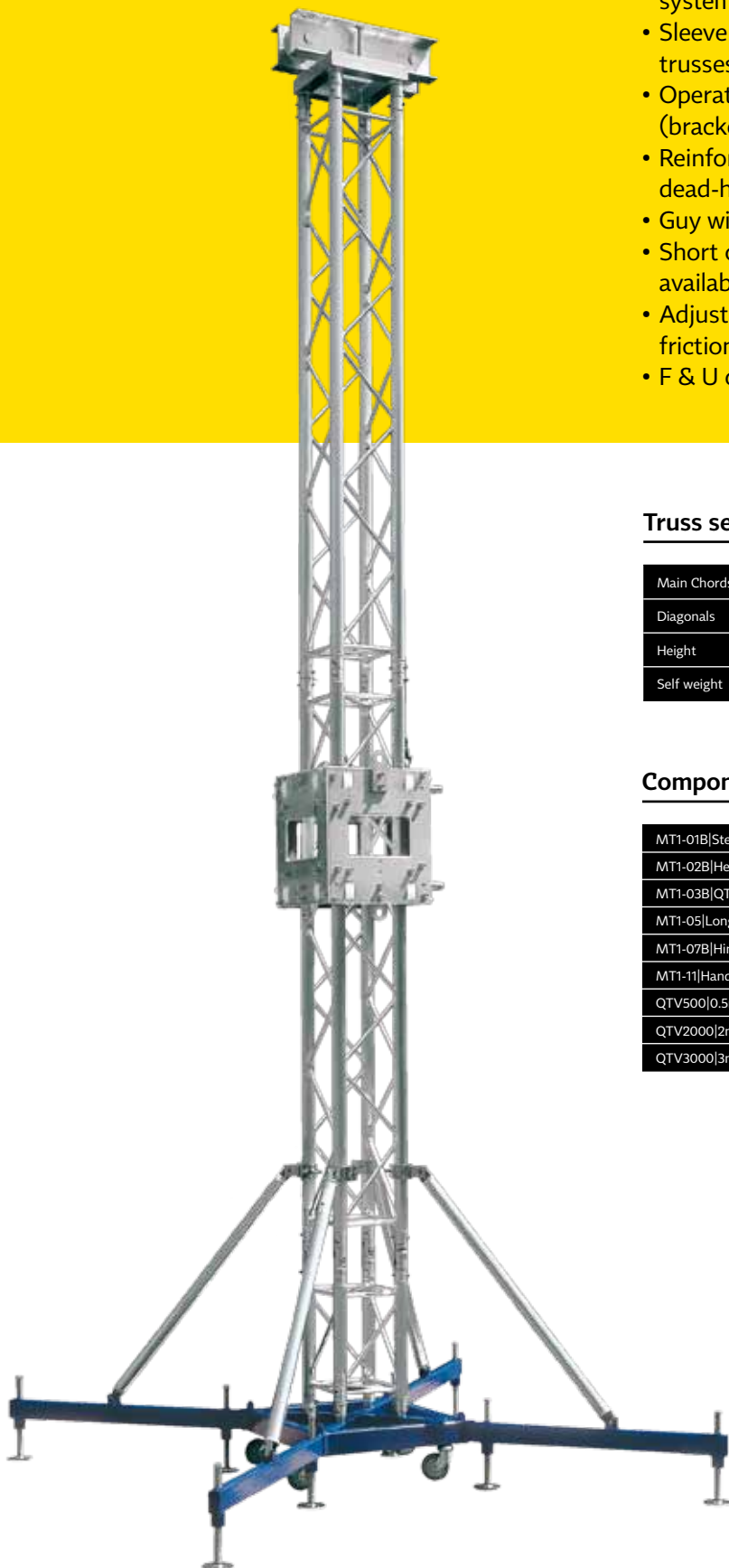


# MT1 tower

- Compact, heavy-duty M290 series tower system - 7.5m (24.60 ft) max height
- For use independently or within MR1T and MR2 roof systems
- Sleeve block designed for use with M290 & M390 trusses
- Operate with manual chain hoist or electric chain hoist (bracket required)
- Reinforced head section with built-in feature for dead-hanging
- Guy wire connection points via bolt-on hangers
- Short or long outriggers (incl. stabilising brace) available
- Adjustable base feet with rubber pads for optimal friction
- F & U compatible versions available



## Truss series M290V

Main Chords	mm	in	48x3 (1.89x0.12)
Diagonals	mm	in	16x2 (0.62x0.08)
Height	m	ft	7.5 (24.6)
Self weight	kg	lbs	201 (443)

## Components for MT1 7.5m tower

MT1-01B SteelBase	1 piece
MT1-02B HeadSection LTG	1 piece
MT1-03B QTB SleeveBlock Sh3.25t	1 piece
MT1-05 LongOutrigger	4 pieces
MT1-07B Hinges 4pcs	1 set
MT1-11 HandChainHoist+Bag	1 piece
QTV500 0.5m	1 piece
QTV2000 2m	2 pieces
QTV3000 3m	1 piece

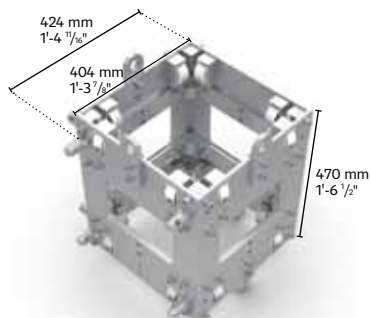


### MT1-01B|SteelBase

**Weight**  
33.00 (72.66)

#### Steel base

Robust steel base gives stability to the tower.  
Equipped with wheels for easy positioning during setup.



### MT1-02B|HeadSection|forChain

**Weight**  
13.00 (28.65)

#### Head section for chain

Fitted with steel pulleys for 7 - 8mm (0.28 - 0.31") chain  
Alternative dimensions available after consultation

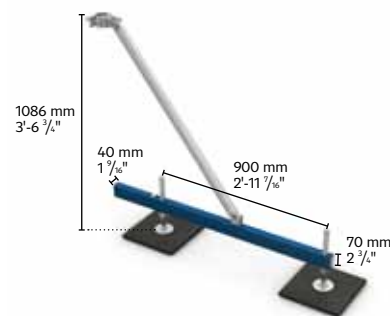


### MT1-02B|HeadSection|LTG

**Weight**  
8.00 (17.62)

#### Head section for steel wire

Fitted with dead hang hook

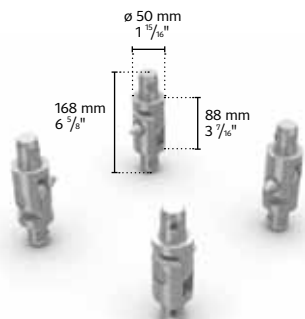


### MT1-03B|QTB|SleeveBlock|Sh3.25t

**Weight**  
46.00 (101.29)

#### Sleeve block

Consists of 10mm (0.39") al. plates connected with steel components.  
Can be attached to M290 & 390 Quatro

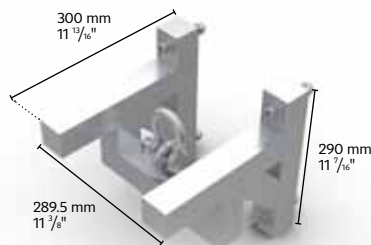


### MT1-04|ShortOutrigger

**Weight**  
5.00 (11.02)

#### Short outrigger

Including adjustable spindles, rubber pads



### MT1-05|LongOutrigger

**Weight**  
16.00 (35.23)

#### Long outrigger

1.2m (3.94") long, including adjustable spindles; rubber pads



### MT1-07B|Hinges|4pcs

**Weight**  
2.40 (5.28)

#### Hinges

Used to connect the vertical tower pieces and to allow for tilt-up assembly; set of 4pcs

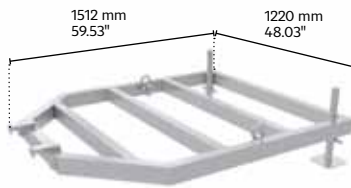


### MT1-09|BracketForMotor|Sleeve

**Weight**  
6.00 (13.21)

#### Bracket for chain hoist

Used for electric chain hoist attachment to sleeve block to achieve max. loading



### MT1-10|FixSet|wire+2xSh2t

**Weight**  
3.00 (6.61)

#### Safety wire

Used over MT1 mast top to secure the sleeve block; protected with clear PVC

### MT1-11|HandChainHoist+Bag

**Weight**  
25.00 (55.05)

#### Manual chain hoist

Uses 10m chain, including chain bag, SWL 1t

### MT1-01|BallastBase

**Weight**  
29.00 (64.00)

#### Designed to stack flat with smooth sides.

Integrated guy wire points.  
Max. load: 2000 kg (4409 lbs)

### MT1-OutriggerHolder|2pcs

**Weight**  
4.60 (20.00)

Designed to secure outriggers to the steel base for easy transport and storage.