

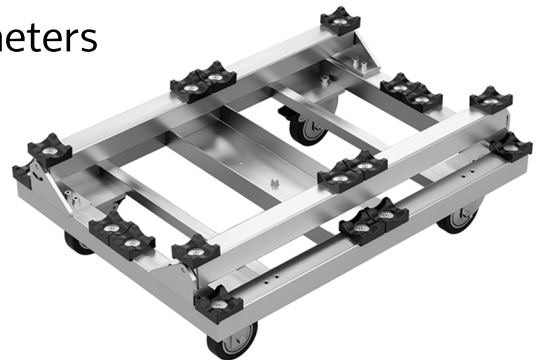
Truss Dolly-CRS

Product code:
TRUSS DOLLY-CRS

Smart way for transportation of circle trusses



- Designed for M290 or M390 circle trusses
- Suitable for various curved truss sections
- Tilting mechanism adapts to different diameters
- Ratchet strap for securing segments
- Enables safe and stable truss stacking
- Simplifies transportation and handling
- Compact dimensions for easy storage
- Stackable design saves storage space
- Durable construction for everyday professional use



MILOS
Špindlerova 286
413 01 Roudnice nad Labem
Czech Republic

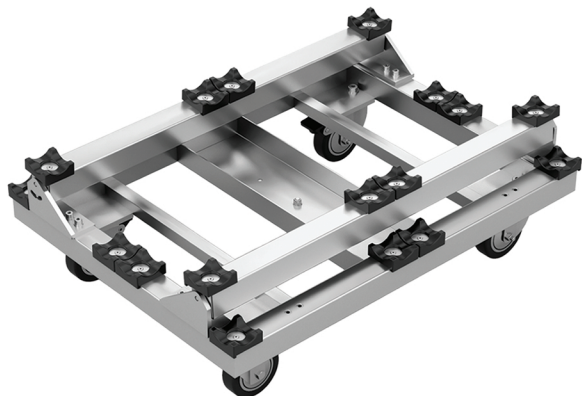
Tel + 420 416 810 800
info@milos.cz
www.milossystems.com



Smart way

for transportation of circle trusses

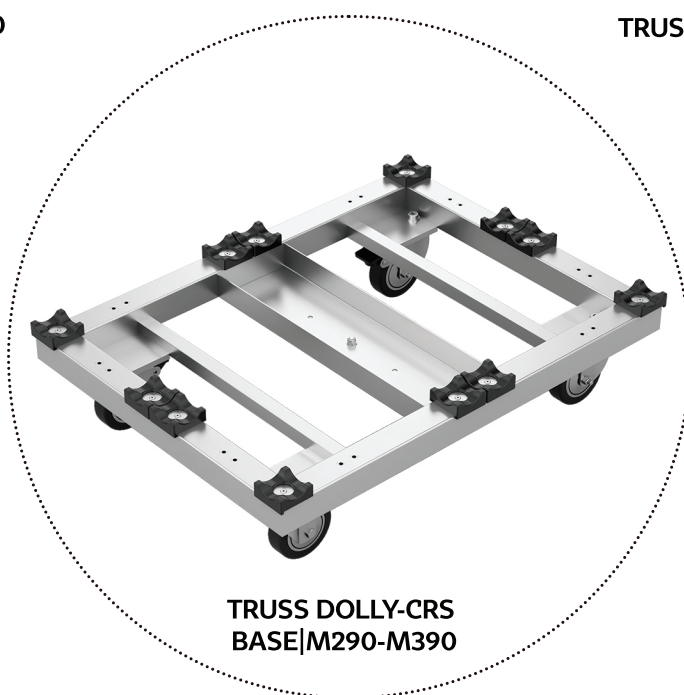
Product code:
TRUSS DOLLY-CRS



TRUSS DOLLY-CRS|M390



TRUSS DOLLY-CRS|M290



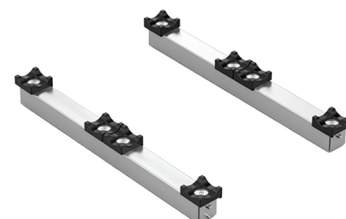
TRUSS DOLLY-CRS
BASE|M290-M390



TRUSS DOLLY-CRS
INSERTBASE|M390-QUATRO|800



TRUSS DOLLY-CRS
HOLDER SET



TRUSS DOLLY-CRS
INSERTBASE|M290-QUATRO|600