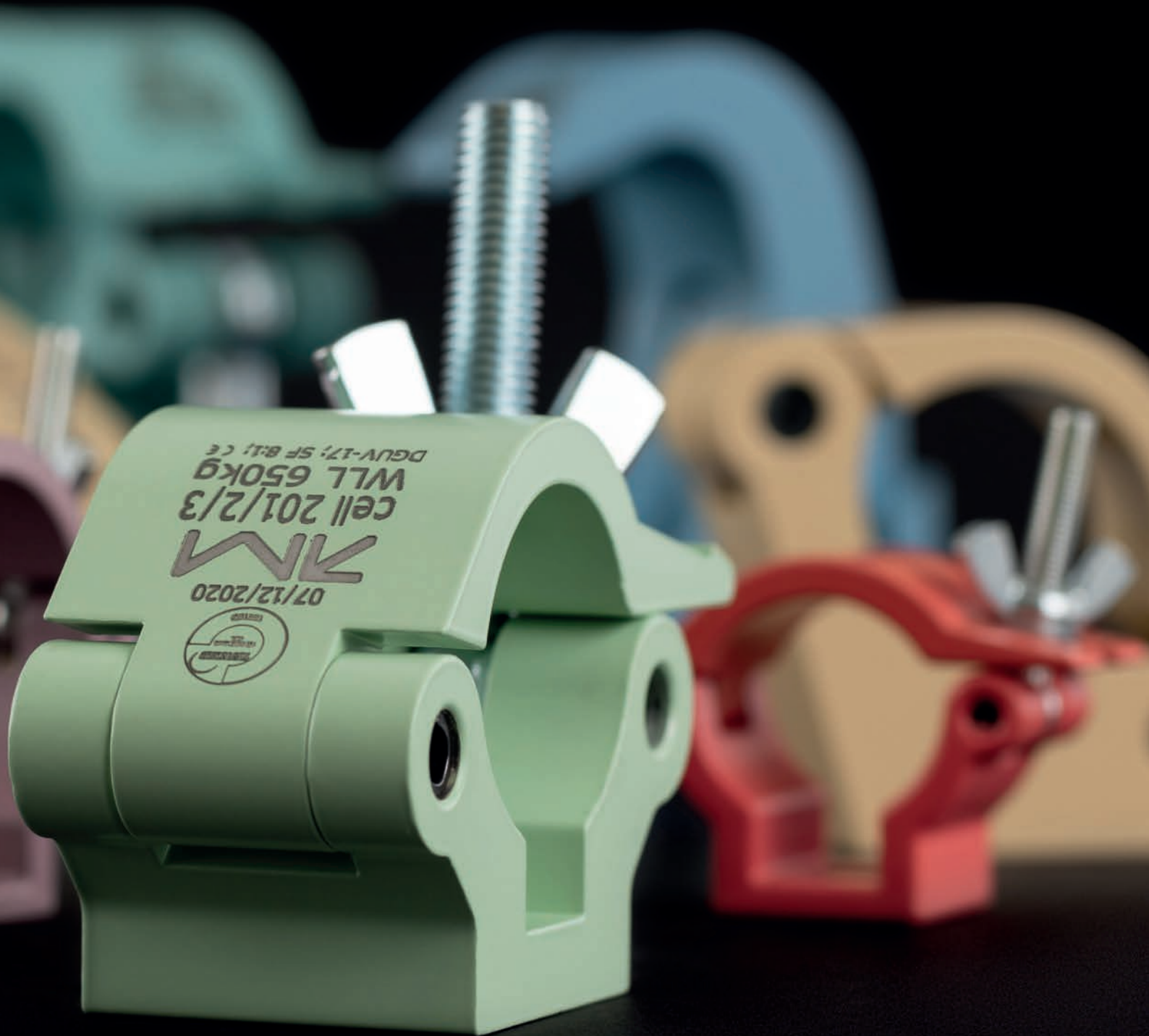


# Cell Clamps

---

# Catalogue

---



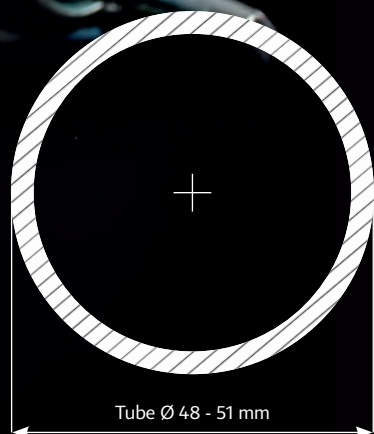


<b>Range</b>	<b>Tube Diameter</b>	<b>Pages</b>
<b>CELL130</b>	Ø 32 - 35 mm	<b>4</b>
<b>CELL200</b>	Ø 48 - 51 mm	<b>8</b>
<b>CELL300</b>	Ø 60 - 63,5 mm	<b>14</b>
<b>CELL400</b>	Ø 38 - 51 mm	<b>18</b>
<b>CELL500</b>	Ø 48 - 51 mm	<b>20</b>
<b>CELL600</b>	Ø 48 - 51 mm	<b>22</b>
<b>Frames</b>		<b>24</b>
<b>Cell Clamps Accessories</b>		<b>28</b>



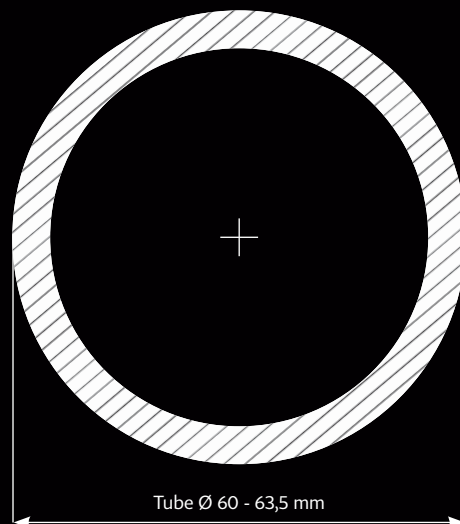
Tube Ø 32 - 35 mm

**Cell 130 series**



Tube Ø 48 - 51 mm

**Cell 200, 400, 500, 600 series**

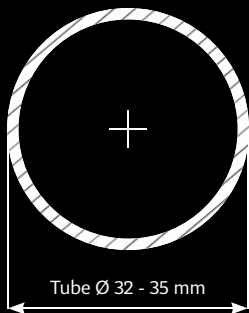


Tube Ø 60 - 63,5 mm

**Cell 300 series**

# CELL130

- Designed to fit 32mm (1 1/4") to 35mm (1 3/8") truss tubes
- Precision extruded high tensile aluminium alloy
- Compatible with M222 truss series
- CE certified
- Polished surface with laser markings
- Rated with SF 8:1 (kg) DGUV17/BGV C1 (SWL1)
- Rated with SF 4:1 (kg) 2006/42/EC (SWL2)
- Interchangeable M10 screw ensures flexible attachment points
- Powder coated versions available on request
- Black anodized versions available





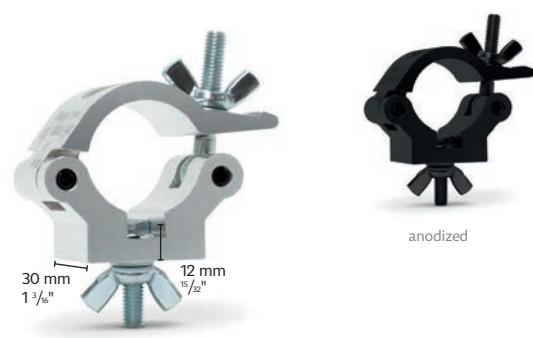


### CELL131 / CELL131|anodized

Basic clamp

kg	lbs	SWL1	SWL2	Weight	Tube Ø
		160 (353)	330 (728)	0.10 (0.20)	32-35 mm (1.26"-1.38")

Basic Clamp can be used for most applications.

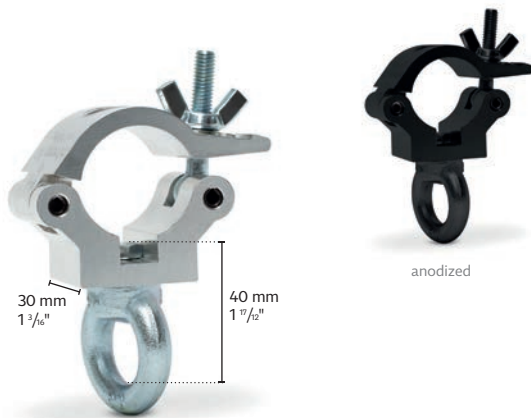


### CELL132 / CELL132|anodized

Clamp with bolt and wingnut

kg	lbs	SWL1	SWL2	Weight	Tube Ø
		160 (353)	330 (728)	0.25 (0.33)	32-35 mm (1.26"-1.38")

Clamp supplied with M10 x 30 bolt and wingnut.

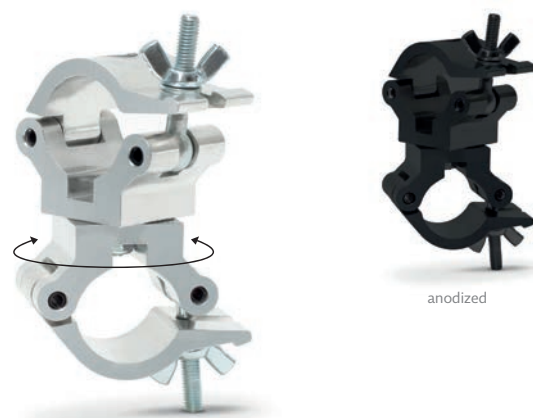


### CELL133 / CELL133|anodized

Clamp with lifting eye

kg	lbs	SWL1	SWL2	Weight	Tube Ø
		160 (353)	330 (728)	0.70 (1.54)	32-35 mm (1.26"-1.38")

Clamp with lifting eye

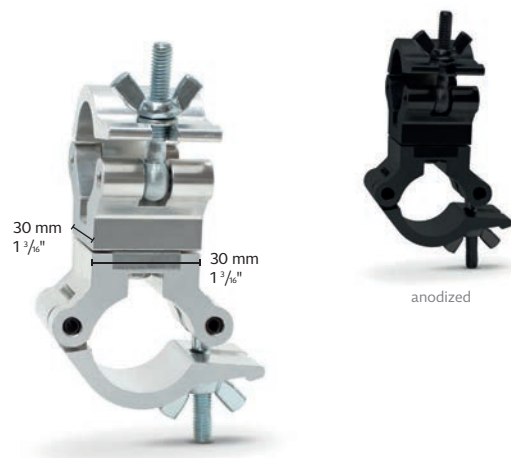


### CELL134 / CELL134|anodized

Swivel coupler

kg	lbs	SWL1	SWL2	Weight	Tube Ø
		160 (353)	330 (728)	0.80 (1.76)	32-35 mm (1.26"-1.38")

Set of two clamps free to rotate 360° for connection of two tubes.



### CELL135 / CELL135|anodized

90° fixed coupler

kg	lbs	SWL1	SWL2	Weight	Tube Ø
		160 (353)	330 (728)	0.80 (1.76)	32-35 mm (1.26"-1.38")

90° fixed coupler



### CELL136 / CELL136|anodized

Parallel coupler

kg	lbs	SWL1	SWL2	Weight	Tube Ø
		160 (353)	330 (728)	0.80 (1.76)	32-35 mm (1.26"-1.38")

Set of two clamps fixed parallel to each other for connection of two tubes.



anodized



**CELL143 / CELL143|anodized**

Boom Arm

	L1	L2	L3	Tube Ø
mm	250	500	750	32-35
in	39.37"	19.69"	29.52"	1.26"-1.38"

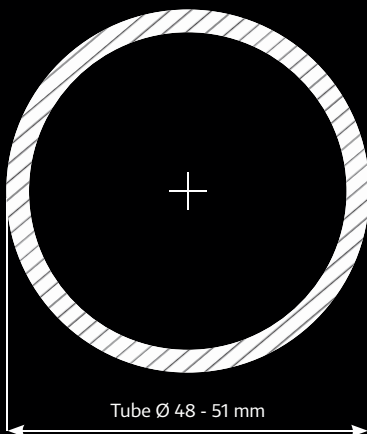
Tube 32x1.5mm also available in custom lengths.





# CELL200

- Designed for 48-51mm (1 7/8"-2") diameter tubes
- Precision extruded high tensile aluminium alloy
- Compatible with M290 / M390 / M400 / M520 / M760 / 4GS-35 / 4GS-50 / 4GS-62
- Mounting hole for up to 13mm (1/2") bolts
- Polished surface with laser markings
- Powder coated versions available on request
- Rated with SF 8:1 (kg) DGUV17/BGV C1 (SWL1)
- Rated with SF 4:1 (kg) 2006/42/EC (SWL2)
- Black anodized versions available







**CELL201 / CELL201|anodized** Basic clamp

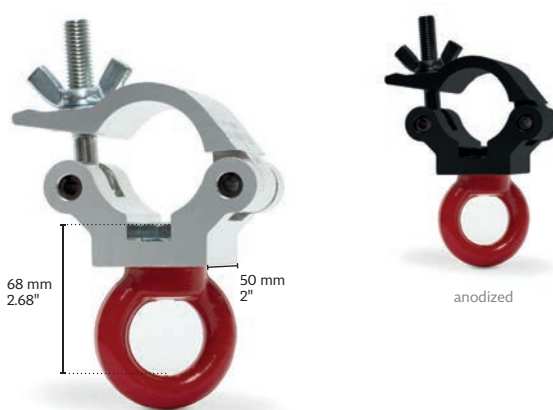
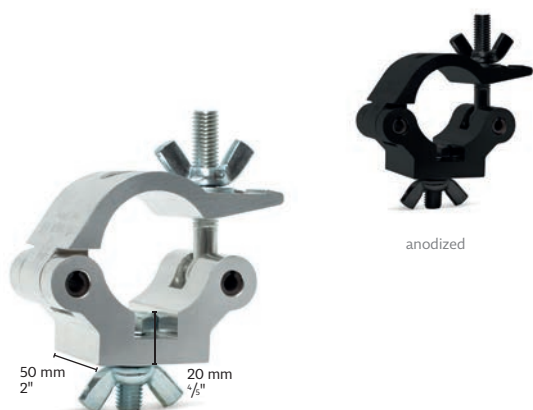
kg	lbs	SWL1	SWL2	Weight	Tube Ø
		650 (1433)	1300 (2865)	0.50 (1.10)	48-51 mm (1.89"-2")

Basic Clamp can be used for most applications.

**CELL251|SS** Stainless steel fasteners

kg	lbs	SWL1	SWL2	Weight	Tube Ø
		500 (1102)	1000 (2204)	0.50 (1.10)	48-51 mm (1.89"-2")

Clamp with stainless M12 bolt & wingnut and spring pins



**CELL202 / CELL202|anodized** Clamp with bolt and wingnut

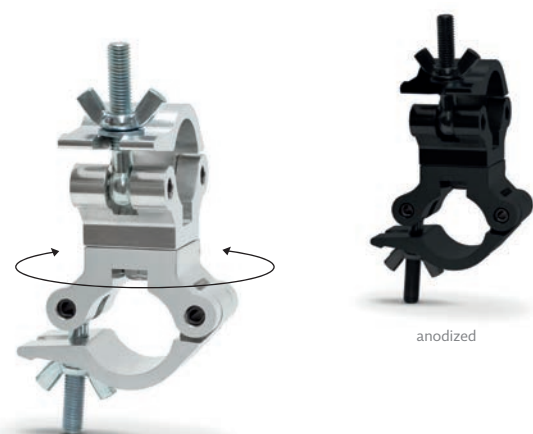
kg	lbs	SWL1	SWL2	Weight	Tube Ø
		650 (1433)	1300 (2865)	0.59 (1.30)	48-51 mm (1.89"-2")

Clamp supplied with M12 x 35 bolt and wingnut.

**CELL203|650kg / CELL203|650kg|anodized** Clamp with lifting eye

kg	lbs	SWL1	SWL2	Weight	Tube Ø
		650 (1433)	1300 (2865)	0.65 (1.43)	48-51 mm (1.89"-2")

Clamp supplied with steel eye for for attachment of rope or cable.  
Version with SWL 340 kg (750 lbs) silver lifting eye (61 mm) available



**CELL204 / CELL204|anodized** Swivel coupler

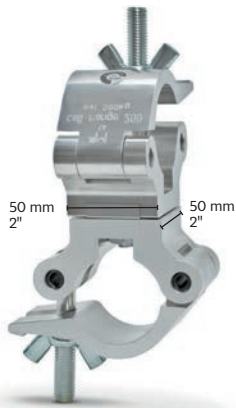
kg	lbs	SWL1	SWL2	Weight	Tube Ø
		540 (1190)	1080 (2381)	1.00 (2.20)	48-51 mm (1.89"-2")

Set of two clamps free to rotate 360° for connection of two tubes.

**CEL254|SS** Stainless steel fasteners

kg	lbs	SWL1	SWL2	Weight	Tube Ø
		500 (1102)	1000 (2204)	1.05 (2.31)	48-51mm (1.89"-2")

Clamp with stainless M12 bolt & wingnut and spring pins



### CELL205 / CELL205|anodized

90° fixed coupler

kg	lbs	SWL1	SWL2	Weight	Tube Ø
		540 (1190)	1080 (2381)	1.00 (2.20)	48-51 mm (1.89"-2")

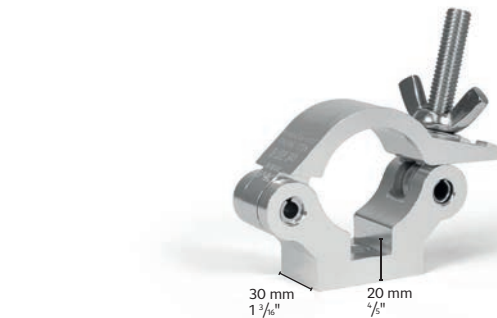
Set of two clamps fixed at 90° to each other for connection of two tubes.

### CELL206 / CELL206|anodized

Parallel coupler

kg	lbs	SWL1	SWL2	Weight	Tube Ø
		540 (1190)	1080 (2381)	1.00 (2.20)	48-51 mm (1.89"-2")

Set of two clamps fixed parallel to each other for connection of two tubes.



### CELL207 / CELL207|anodized

Slim basic clamp

kg	lbs	SWL1	SWL2	Weight	Tube Ø
		560 (1234)	1120 (2469)	0.30 (0.66)	48-51 mm (1.89"-2")

Slim basic clamp can be used for most applications.

### CELL257|SS

Stainless steel fasteners

kg	lbs	SWL1	SWL2	Weight	Tube Ø
		430 (947)	860 (1895)	0.32 (0.71)	48-51 mm (1.89"-2")

Clamp with stainless M12 bolt & wingnut and spring pins



### CELL208 / CELL208|anodized

Slim clamp with bolt and nut

kg	lbs	SWL1	SWL2	Weight	Tube Ø
		560 (1234)	1120 (2469)	0.39 (0.86)	48-51 mm (1.89"-2")

Slim clamp supplied with M12 x 50 bolt and wingnut.

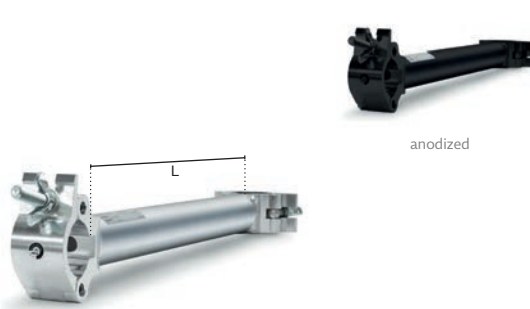
### CELL225B / CELL225B|anodized

kg	lbs	SWL1	SWL2	Weight	Tube Ø
		560 (1234)	1120 (2469)	0.48 (1.06)	48-51 mm (1.89"-2")

The pin direction of the half connector depends on use



anodized



anodized

### CELL209 / CELL209|anodized

Extended parallel coupler

	L1	L2	L3	Tube Ø
mm	250	500	1000	48-51
in	9.84"	19.69"	39.37"	1.89"-2"

Set of two clamps connected with aluminium tube in various lengths for parallel tube connections. Custom lengths available.

### CELL210 / CELL210|anodized

Extended parallel coupler

	L1	L2	L3	Tube Ø
mm	250	500	1000	48-51
in	9.84"	19.69"	39.37"	1.89"-2"

Set of two clamps connected with aluminium tube in various lengths for 90° tube connections. Custom lengths available.



anodized



anodized

### CELL211 / CELL211|anodized

Side clamp

	SWL1	SWL2	Weight	Tube Ø
kg	780	1560	0.55	48-51
lbs	1719	3439	1.21	1.89"-2"

Side clamp is ideal for using with trusses. Substitute for claw clamp.

### CELL212 / CELL212|anodized

Slim side clamp

	SWL1	SWL2	Weight	Tube Ø
kg	410	820	0.35	48-51
lbs	904	1807	0.77	1.89"-2"

Side clamp is ideal for using with trusses. Substitute for claw clamp.



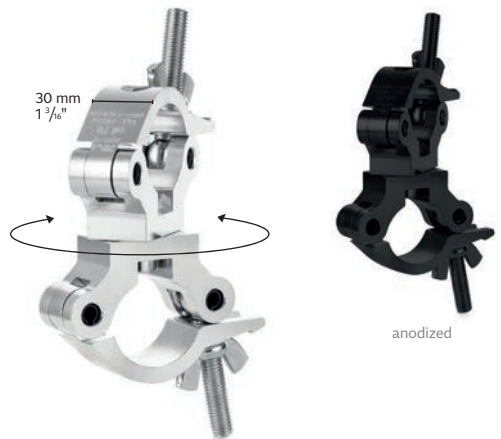


### CELL213 / CELL213|anodized

Boom Arm

	L1	L2	L3	Tube Ø
mm	250 (9.84")	500 (19.69")	750 (29.53")	48-51 mm (1.89"-2")

Constructed with 50x2mm Tube ( Also available in custom lengths )

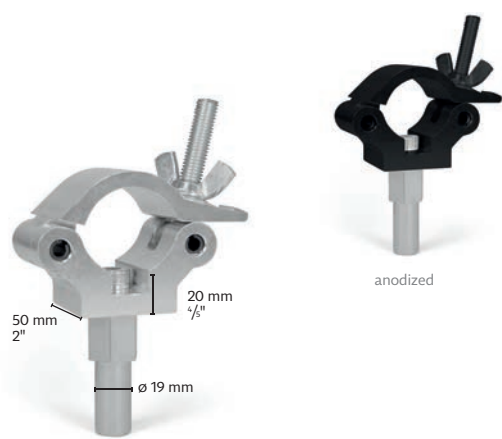


### CELL214 / CELL214|anodized

Swivel coupler

	SWL1	SWL2	Weight	Tube Ø
kg	490 (1080)	980 (2160)	0.71 (1.57)	48-51 mm (1.89"-2")

48-51mm Slim Swivel Coupler (CELL207 + CELL207 Assy)



### CELL215 / CELL215|anodized

Basic Cell with universal spigot

	SWL1	SWL2	Weight	Tube Ø
kg	160 (352)	320 (705)	0.70 (1.54)	48-51 mm (1.89"-2")

Clamp 201 supplied with Universal spigot



### CELL216 / CELL216|anodized

Basic Cell with swivel TV spigot

	SWL1	SWL2	Weight	Tube Ø
kg	200 (440)	400 (881)	1.36 (3.00)	48-51 mm (1.89"-2")

Clamp 201 supplied with swivel TV spigot

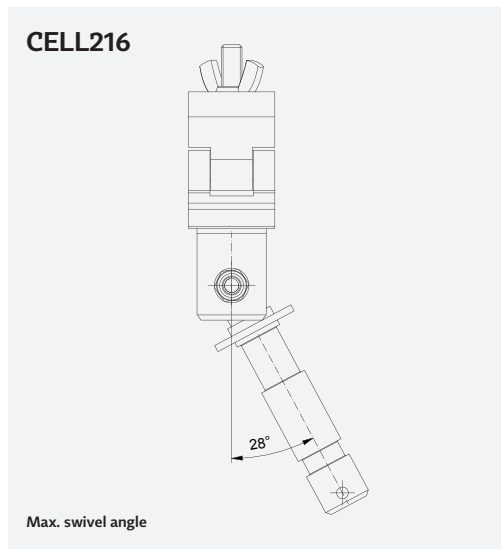


### CELL217 / CELL217|anodized

Basic Cell with fixed TV spigot

	SWL1	SWL2	Weight	Tube Ø
kg	200 (440)	400 (881)	1.10 (2.42)	48-51 mm (1.89"-2")

Clamp 201 supplied with fixed TV spigot







anodized



anodized

**CELL218 / CELL218|anodized**

Swivel coupler

	SWL1	SWL2	Weight	Tube Ø
kg	650 (1433)	1300 (2865)	1.10 (2.42)	48-51mm (1.89"-2")
lbs				60-63.5mm (2.36"-2.5")

48-51mm/60-63.5mm Swivel Coupler  
(CELL201 + CELL301 Assy)

**CELL219 / CELL219|anodized**

Swivel coupler

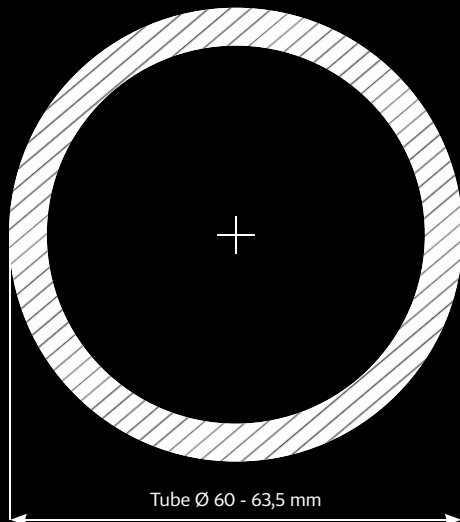
	SWL1	SWL2	Weight	Tube Ø
kg	160 kg (352)	320 (728)	0.61 (1.34)	48-51mm (1.89"-2")
lbs				32-35 mm (1.26"-1.38")

32-35/48-51mm Swivel Coupler  
(CELL131 + CELL201Assy)



# CELL300

- Designed for 60-63.5mm (2 3/8"-2 1/2") diameter tubes
- Precision extruded high tensile aluminium alloy
- DGUV17/BGV C1 rating
- Compatible with M950 / 4GS-91
- Mounting hole for up to 13mm (1/2") bolts
- Polished surface with laser markings
- Powder coated versions available on request
- Rated with SF 8:1 (kg) DGUV17/BGV C1 (SWL1)
- Rated with SF 4:1 (kg) 2006/42/EC (SWL2)
- Black anodized versions available



**Cell 300 series**





**CELL301 / CELL301|anodized**

Basic clamp

kg	lbs	SWL1	SWL2	Weight	Tube Ø
		650 (1433)	1300 (2865)	0.65 (1.43)	60-63.5 mm (2.36"-2.5")

Basic Clamp can be used for most applications.

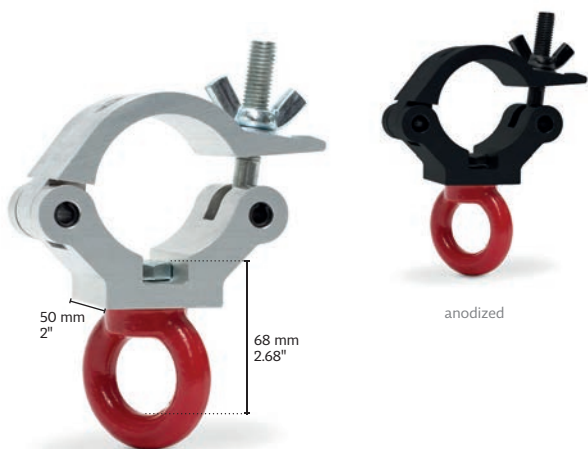


**CELL302 / CELL302|anodized**

Clamp with bolt and wingnut

kg	lbs	SWL1	SWL2	Weight	Tube Ø
		650 (1433)	1300 (2865)	0.75 (1.65)	60-63.5 mm (2.36"-2.5")

Clamp supplied with M12 x 35 bolt and wingnut.



**CELL303|650kg / CELL303|anodized**

Clamp with lifting eye

kg	lbs	SWL1	SWL2	Weight	Tube Ø
		650 (1433)	1300 (2865)	1.00 (2.20)	60-63.5 mm (2.36"-2.5")

Clamp supplied with steel eye for attachment of rope or cable.  
Version with SWL 340 kg (750 lbs) silver lifting eye (61 mm) available



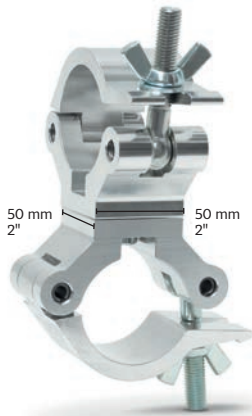
**CELL304 / CELL304|anodized**

Swivel coupler

kg	lbs	SWL1	SWL2	Weight	Tube Ø
		650 (1433)	1300 (2865)	1.50 (3.30)	60-63.5 mm (2.36"-2.5")

Set of two clamps free to rotate 360° for connection of two tubes.





anodized

**CELL305 / CELL305|anodized**

90° fixed coupler

kg	lbs	SWL1	SWL2	Weight	Tube Ø
		650 (1433)	1300 (2865)	1.50 (3.30)	60-63.5 mm (2.36"-2.5")

Set of two clamps fixed at 90° to each other for connection of two tubes.



anodized

**CELL306 / CELL306|anodized**

Parallel coupler

kg	lbs	SWL1	SWL2	Weight	Tube Ø
		650 (1433)	1300 (2865)	1.50 (3.30)	60-63.5 mm (2.36"-2.5")

Set of two clamps fixed parallel to each other for connection of two tubes.



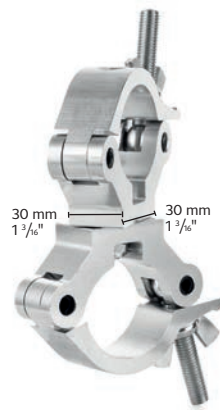
anodized

**CELL307 / CELL307|anodized**

Slim basic clamp

kg	lbs	SWL1	SWL2	Weight	Tube Ø
		650 (1433)	1300 (2866)	0.4 (0.88)	60-63.5 mm (2.36"-2.5")

Slim basic clamp can be used for most applications.



anodized

**CELL314 / CELL314|anodized**

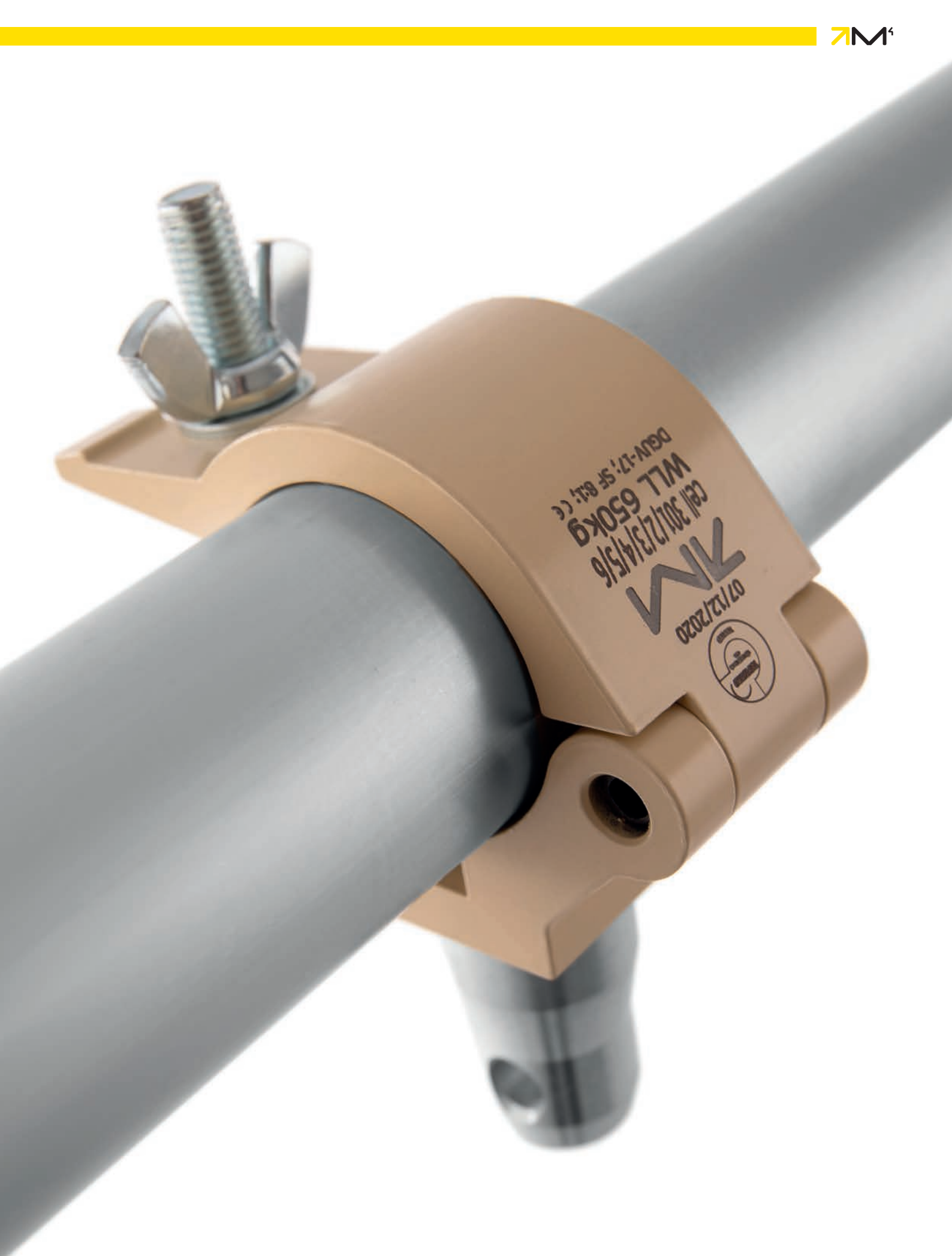
Swivel coupler

kg	lbs	SWL1	SWL2	Weight	Tube Ø
		650 (1433)	1300 (2866)	0.81 (1.79)	60-63.5 mm (2.36"-2.5")

60-63.5mm Slim Swivel Coupler (CELL307 + CELL307 Assy)

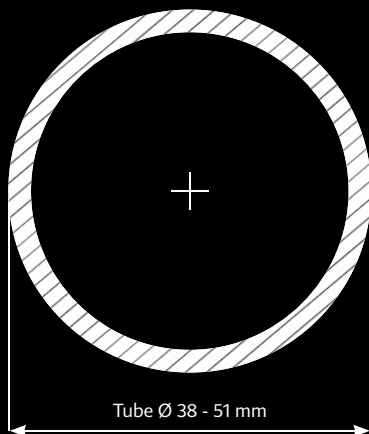






# CELL400

- Quick hook clamp series designed for 38-51 mm (1 1/2"-2") diameter tubes
- Quick & easy attachment solution for moving heads
- Precision extruded high tensile aluminium alloy
- DGUV17/BGV C1 rating
- Compatible with M290 / M390 / M400 / M520 / M760 / 4GS-35 / 4GS-50 / 4GS-62
- Supplied with M12 bolt & wingnut
- Mounting hole for up to 13mm (1/2") bolts
- Polished surface with laser markings
- Powder coated versions available on request
- Rated with SF 8:1 (kg) DGUV17/BGV C1 (SWL1)
- Rated with SF 4:1 (kg) 2006/42/EC (SWL2)
- Black anodized versions available



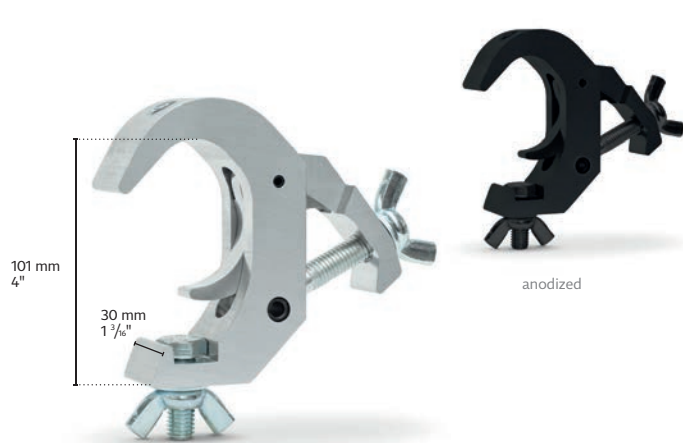


**CELL401 / CELL401|anodized**

Quick clamp

kg	lbs	SWL1	SWL2	Weight	Tube Ø
		360 (794)	720 (1587)	0.68 (1.50)	38-51 mm (1.5"-2")

38-51mm Quick clamp connection and locking mechanism



**CELL402 / CELL402|anodized**

Quick clamp with bolt and wingnut

kg	lbs	SWL1	SWL2	Weight	Tube Ø
		360 (794)	720 (1587)	0.75 (1.65)	38-51 mm (1.5"-2")

Quick clamp supplied with M12 x 35 bolt and wingnut.



**CELL403 / CELL403|anodized**

Quick clamp with lifting eye

kg	lbs	SWL1	SWL2	Weight	Tube Ø
		360 (794)	720 (1587)	0.75 (1.65)	38-51 mm (1.5"-2")

Quick clamp supplied with steel eye for attachment of ropes or cables.



**CELL411 / CELL411|anodized**

Quick Clamp with Wing bolt

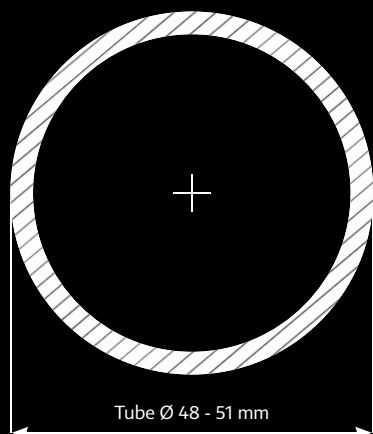
kg	lbs	SWL1	SWL2	Weight	Tube Ø
		190 (419)	380 (838)	0.68 (1.50)	38-60 mm (1.5"-2.36")

38-60mm Quick clamp connection and locking mechanism



# CELL500

- Low profile series designed for 48-51mm (1 7/8"-2") diameter tubes
- Ideal for exhibitions, displays & light duty applications
- Precision extruded ultra-high tensile aluminium alloy
- DGUV17/BGV C1 rating
- Compatible with M290 / M390 / M400 / M520 / M760 / 4GS-35 / 4GS-50 / 4GS-62
- Supplied with M6 bolt & wingnut
- Mounting hole for up to 10.5mm (5/12") bolts
- Polished surface with laser markings
- Powder coated versions available on request
- Rated with SF 8:1 (kg) DGUV17/BGV C1 (SWL1)
- Rated with SF 4:1 (kg) 2006/42/EC (SWL2)
- Black anodized versions available



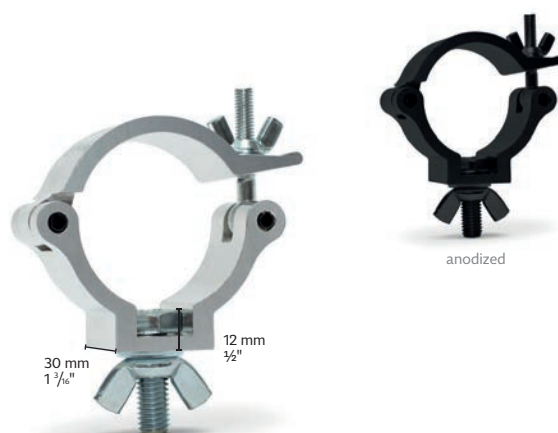



**CELL501 / CELL501|anodized**

Basic clamp

	SWL1	SWL2	Weight	Tube Ø
kg	230 (507)	460 (1014)	0.14 (0.30)	48-51 mm (1.89"-2")
lbs				

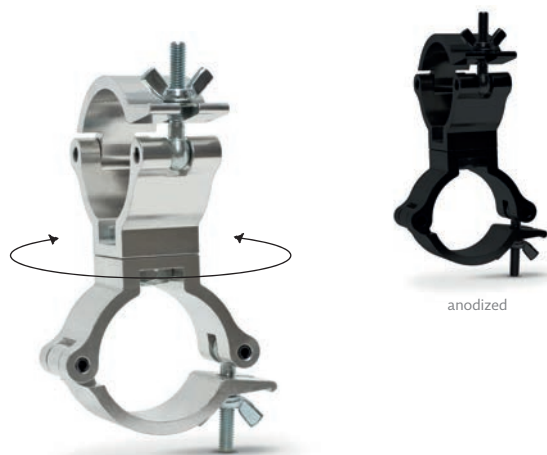
Basic clamp can be used for lightweight applications.


**CELL502 / CELL502|anodized**

Clamp with bolt and wingnut

	SWL1	SWL2	Weight	Tube Ø
kg	230 (507)	460 (1014)	0.22 (0.47)	48-51 mm (1.89"-2")
lbs				

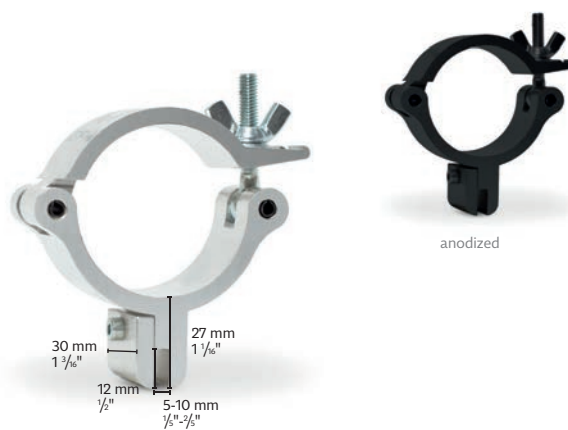
Clamp supplied with M10 x 30 bolt and wingnut.


**CELL504 / CELL504|anodized**

Swivel coupler

	SWL1	SWL2	Weight	Tube Ø
kg	230 (507)	460 (1014)	0.27 (0.60)	48-51 mm (1.89"-2")
lbs				

Set of two clamps free to rotate 360° for connection of two tubes.


**CELL511 / CELL511|anodized**

Panel Clamp

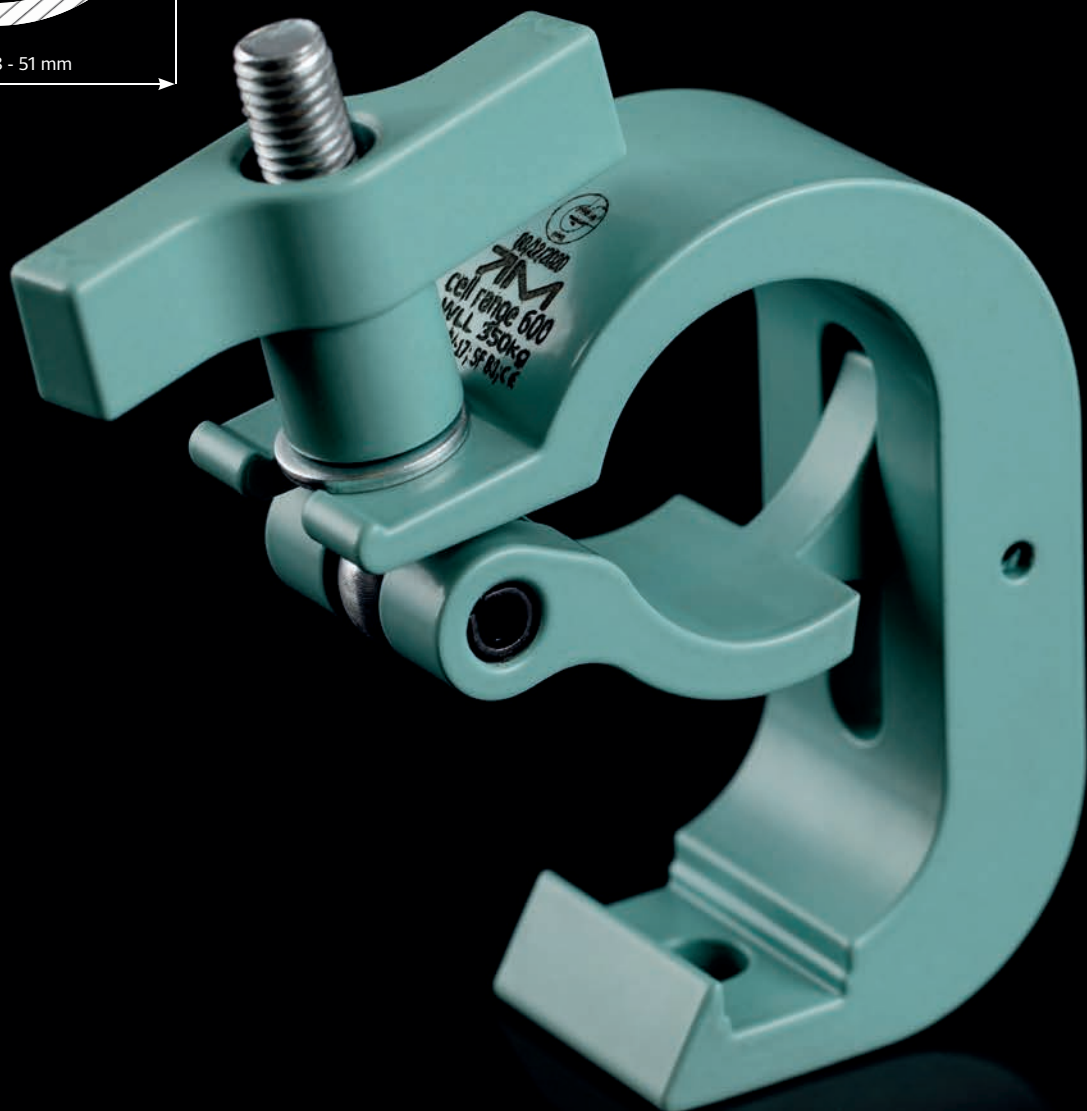
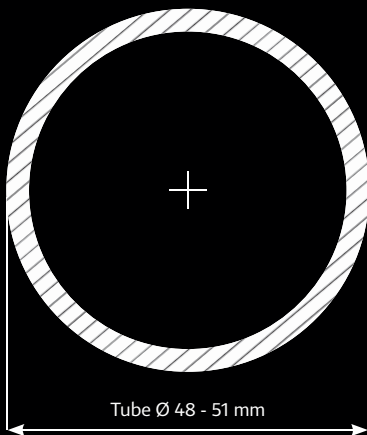
	SWL	Weight	Tube Ø
kg	55 (121)	0.22 (0.47)	48-51 mm (1.89"-2")
lbs			

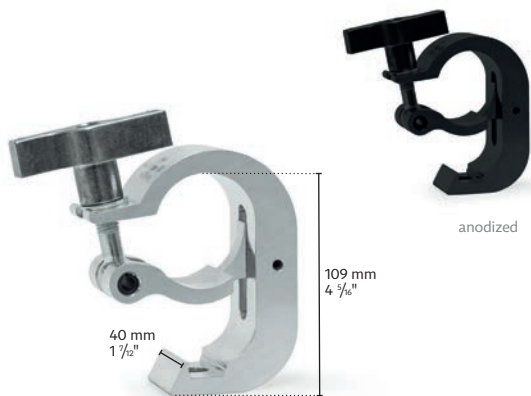
Panel thickness range 5-10 mm (0.19"-0.39")



# CELL600

- Hook clamp series designed for 48-51mm (1 7/8"-2") diameter tubes
- Quick & easy attachment solution for moving heads & heavy fixtures
- Precision extruded high tensile aluminium alloy
- DGUV17/BGV C1 rating
- Supplied with M12 bolt & locking knob
- Mounting hole for up to 13mm (1/2") bolts
- Compatible with M290 / M390 / M400 / M520 / M760 / 4GS-35 / 4GS-50 / 4GS-62
- Polished surface with laser markings
- Powder coated versions available on request
- Rated with SF 8:1 (kg) DGUV17/BGV C1 (SWL1)
- Rated with SF 4:1 (kg) 2006/42/EC (SWL2)
- Black anodized versions available



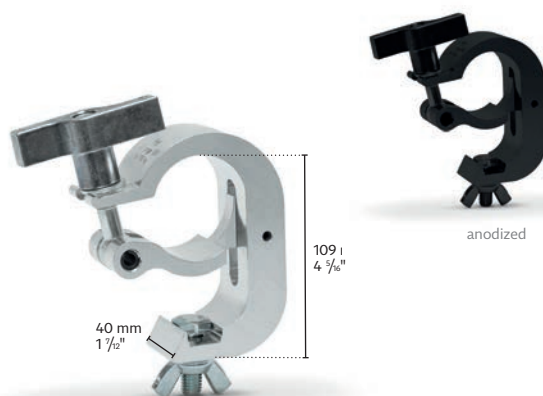


**CELL601 / CELL601|anodized**

Basic clamp

SWL1	SWL2	Weight	Tube Ø
350 (771)	700 (1543)	0.50 (1.10)	48-51 mm (1.89"-2")

Basic clamp can be used for most applications.

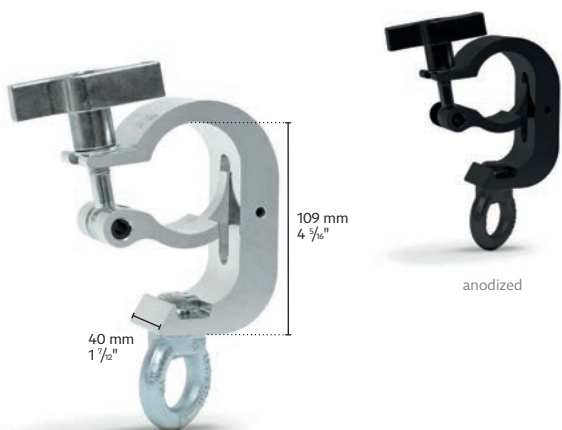


**CELL602 / CELL602|anodized**

Basic clamp with bolt and wingnut

SWL1	SWL2	Weight	Tube Ø
350 (771)	700 (1543)	0.58 (1.28)	48-51 mm (1.89"-2")

Clamp supplied with M12 x 35 bolt and wingnut.

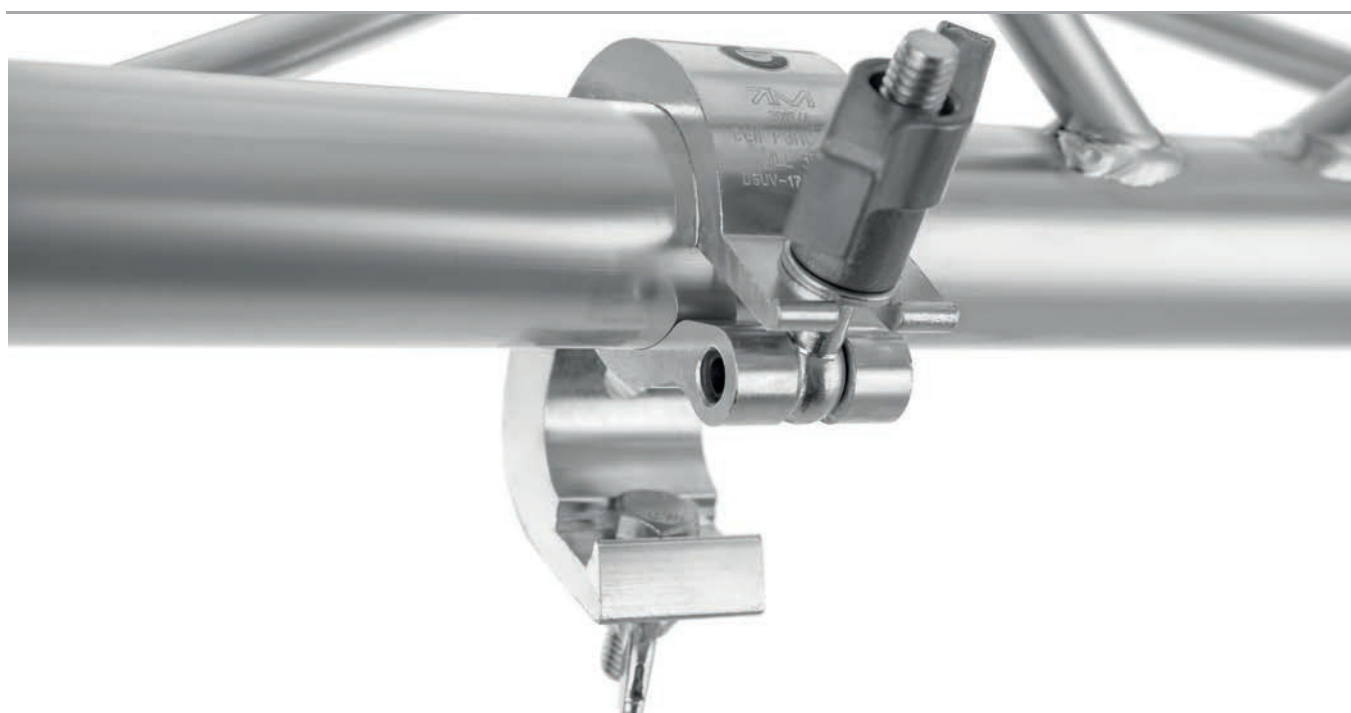


**CELL603 / CELL603|anodized**

Clamp with lifting eye

SWL1	SWL2	Weight	Tube Ø
350 (771)	700 (1543)	0.75 (1.65)	48-51 mm (1.89"-2")

Clamp supplied with steel eye for attachment of ropes or cables.

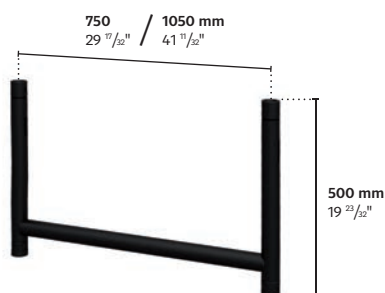


# Frames

- Connect fixtures quickly and securely via cell clamps or any other lifting accessories
  - Maximum flexibility for mounting lighting fixtures
  - Quick & ease assembly using standard conical connections
  - Slotted tube profile to enable secondary safety attachment
  - Durable 48 x 3 mm extruded aluminium tube (EN AW-6082 T6)
  - Based on MILOS M100 series truss
- All load information are without consideration of horizontal forces. Specific load figures can be approved on request.
- As horizontal forces are not considered, the analysis of tipping over must be made case by case.



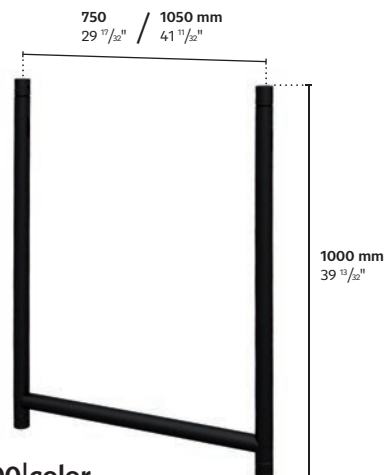




**MLA-H750x500|color**  
**MLA-H1050x500|color**

Code	Tube Ø	kg	lbs
MLA-H750x500 color	48 x 3mm (1.89" x 0.12")	2.30	(5.07)
MLA-H1050x500 color	48 x 3mm (1.89" x 0.12")	2.60	(5.73)

Modular Grid Frame for hanging lights from truss structures - 750x500mm or 1050x500mm.



**MLA-H750x1000|color**  
**MLA-H1050x1000|color**

Code	Tube Ø	kg	lbs
MLA-H750x1000 color	48 x 3mm (1.89" x 0.12")	3.40	(7.49)
MLA-H1050x1000 color	48 x 3mm (1.89" x 0.12")	3.80	(8.37)

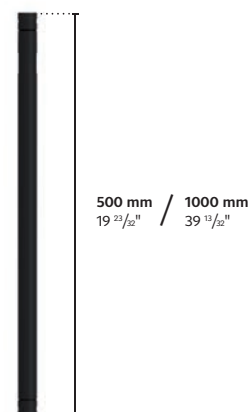
Modular Grid Frame for hanging lights from truss structures - 750x1000mm or 1050x1000mm.



**MLA-I-750|color**  
**MLA-I-1050|color**

Code	Tube Ø	kg	lbs
MLA-I-750 color	48 x 3mm (1.89" x 0.12")	2.20	(4.85)
MLA-I-1050 color	48 x 3mm (1.89" x 0.12")	2.40	(5.29)

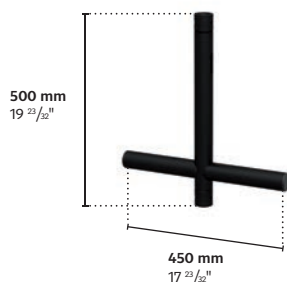
Modular Light Bar for attaching lights to hanging modular grid frames - 1050mm or 750mm.



**MLA-L500|color**  
**MLA-L1000|color**

Code	Tube Ø	kg	lbs
MLA-L500 color	48 x 3mm (1.89" x 0.12")	0.70	(1.54)
MLA-L1000 color	48 x 3mm (1.89" x 0.12")	1.30	(2.87)

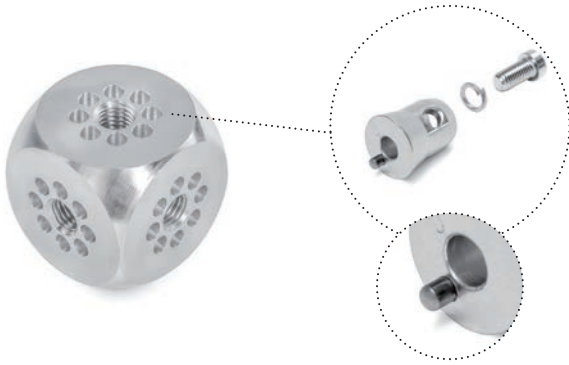
Modular Light Bar for attaching lights to hanging modular grid frames - 1000mm or 500mm.



**MLA-X450x500|color**

Code	Tube Ø	kg	lbs
MLA-X450x500 color	48 x 3mm (1.89" x 0.12")	1.20	(2.65)

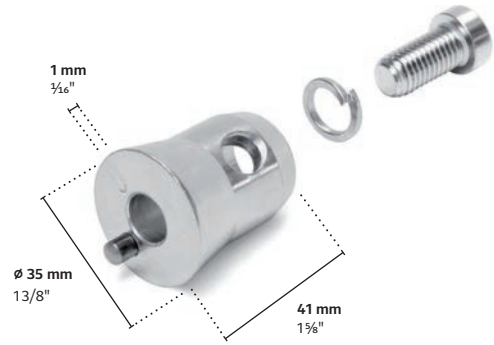
Modular Light Bar for attaching lights to hanging modular grid frames - 450x500mm.



### CUBEB-UNI

Series	kg	lbs
Frames	0.27 (0.60)	

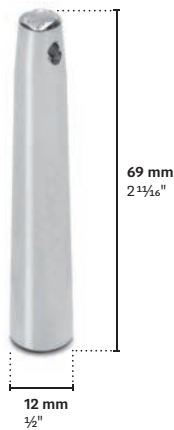
Universal multi-connection cube with receiver alignment holes



### CON63B|MalePin

Series	kg	lbs
Frames	0.17 (0.37)	

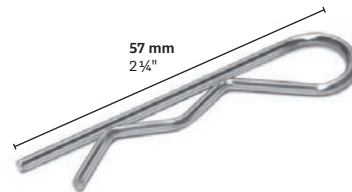
Male fitting for CUBEB-UNI, HINGEQB-UNI, equipped with location pin  
Supplied with washer and M12x25 bolt. (F & U compatible versions available)



### PB|Pin

Series	kg	lbs
Frames	0.02 (0.04)	

Tapered Pin B



### SRPB

Series	kg	lbs
Frames	0.002 (0.004)	

Safety R Clip B



### CCB

Series	kg	lbs
Frames	0.11 (0.24)	

M290B conical connector  
F & U compatible versions available.

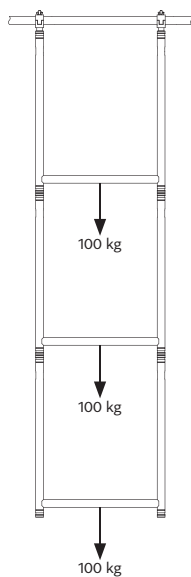


### M12 LIFTING EYE BOLT

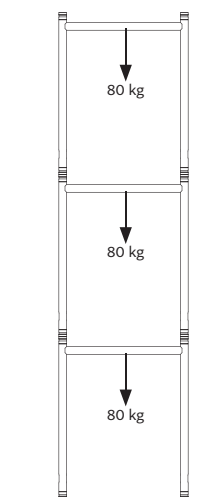
Series	WLL	Weight
Frames	kg	lbs
	340.00 (749.57)	0.18 (0.40)

Vertical loads only

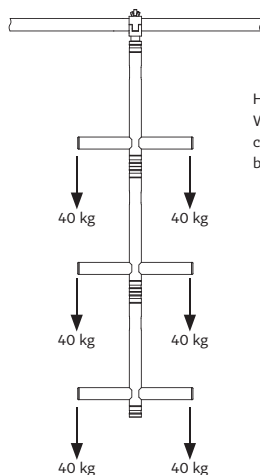
## Load assumptions



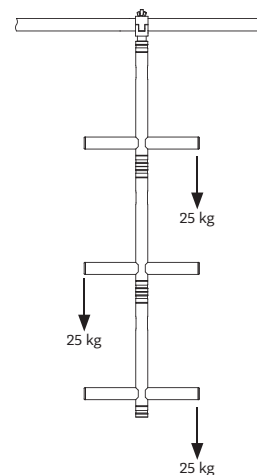
Hanging configuration:  
Maximum load per crossbar 100 kg. At full load, a maximum of 15 H-frames can be hung one below the other.



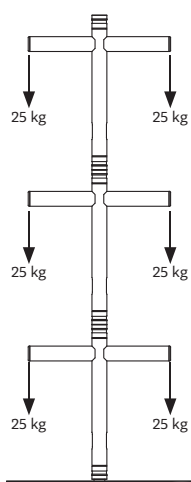
Standing configuration:  
Maximum load per crossbar 80 kg. At full load, a maximum of 4 H-frames can be stacked on top of each other.



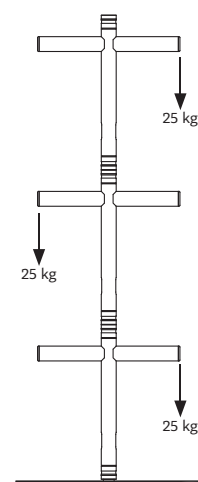
Hanging configuration:  
With symmetrical load of 40 kg on every cantilever, a maximum of 14 T-frames may be hung one below the other.



Hanging configuration:  
With asymmetrical load of 25 kg on every cantilever, a maximum of 22 T-frames may be hung one below the other.



Standing configuration:  
With symmetrical load of 25 kg on each cantilever, a maximum of 5 T-frames may be stacked on top of each other.



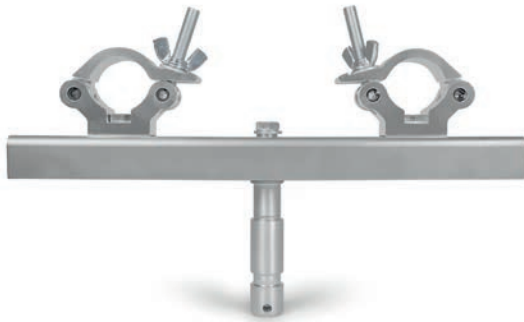
Standing configuration:  
With asymmetrical load of 25 kg on one cantilever per piece, a maximum of 6 T-frames may be stacked on top of each other.

**WARNING:**

The load specifications given here only considers the frames and the connections between them, but do not include the top connection to the suspending truss. The total load capacity may be reduced depending on the lifting accessories selected.

# Cell Clamps Accessories

- Adjustable width of truss adaptors provides safe and reliable connection of truss
- Swivel truss adaptor prevent potential bending damages of truss during lifting
- User-friendly laser engraving on truss adaptors
- Universal TV pin for connection
- Black color available



**TRUSS-ADAPTOR-M290|M400|FIXED**

kg	lbs	SWL1	Weight	Tube Ø
		200 (440)	2.93 (6.46)	48-51 mm (1.89"-2")



**TRUSS-ADAPTOR-M290|M400|SWIVEL**

kg	lbs	SWL1	Weight	Tube Ø
		200 (440)	3.00 (6.62)	48-51 mm (1.89"-2")



**CCBM12|EYE**

kg	lbs	SWL1	Weight
		100 (202)	0.30 (0.66)



**CON22|M12**

Universal spigot

Diameter (mm/in)	Length (mm/in)	Weight (kg/lbs)	Inner thread
19 (0.74)	66 (2.59)	0.23 (0.51)	M12



**CON24-M12**

**CON24-M10**

TV spigot

Diameter (mm/in)	Length (mm/in)	Weight (kg/lbs)	Inner thread
28 (1.10)	136 (5.35)	0.62 (1.37)	M12
28 (1.10)	136 (5.35)	0.63 (1.39)	M10



**BBA-CBD50-1000**

Brace Boom Arm

Cantilever arm length 1000mm (39.37 in)	Weight (kg/lbs)
Diagonal support length 1000mm (39.37 in)	4.20 (9.26)

WLL varies 120kg-160kg depends on load case. Min. torque 15 Nm





Milos

Spindlerova 286  
413 01 Roudnice nad Labem  
Czech Republic

Tel +420 416 810 800  
info@milos.cz  
www.milossystems.com

